

**Name:** Richard Volta  
**Date:** 25.05.2008  
**Track:** Kirchberg/Austria EC-B

# VELOX SET-UP SHEET

**Track condition:**  
 Surface:  SMOOTH  MEDIUM  BUMPY  
 Size:  TIGHT  MEDIUM  FAST  
 Traction:  LOW  MEDIUM  HIGH

Engine			
Engine	Muffler	Manifold	Plug
JP Racing	3007	Short	7tf

Clutch		
Clutch shoe	Centrifugal shoe	Spring
White	Original	Original

Clutch bell clearance/mm	Adj. nut position/mm
0,6	1,2

Drive ratio		
Pinion 1st	Pinion 2nd	Pulley
<input checked="" type="radio"/> 16 <input type="radio"/> 17	<input type="radio"/> 19 <input checked="" type="radio"/> 20 <input type="radio"/> 21	<input checked="" type="radio"/> 26 <input type="radio"/> 25

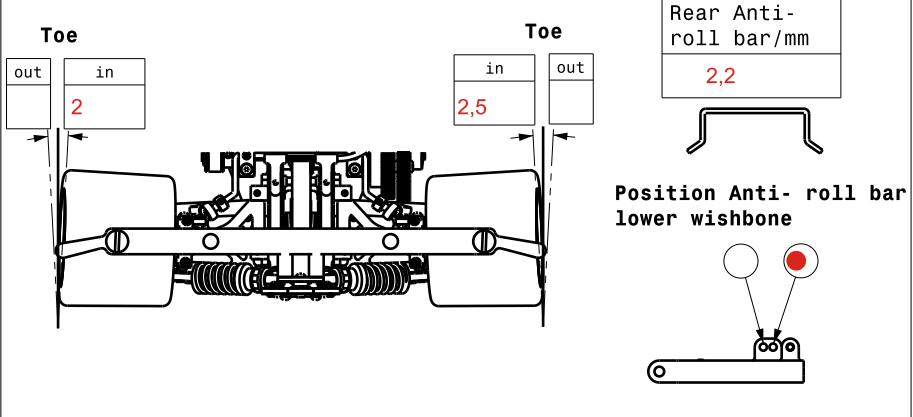
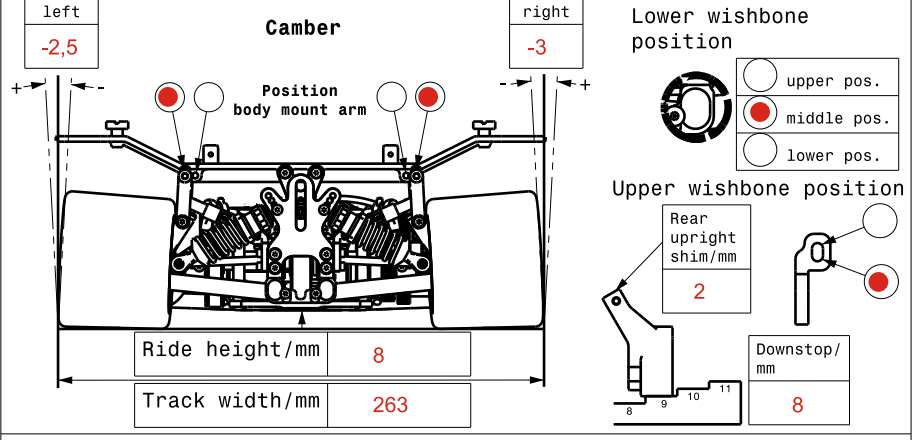
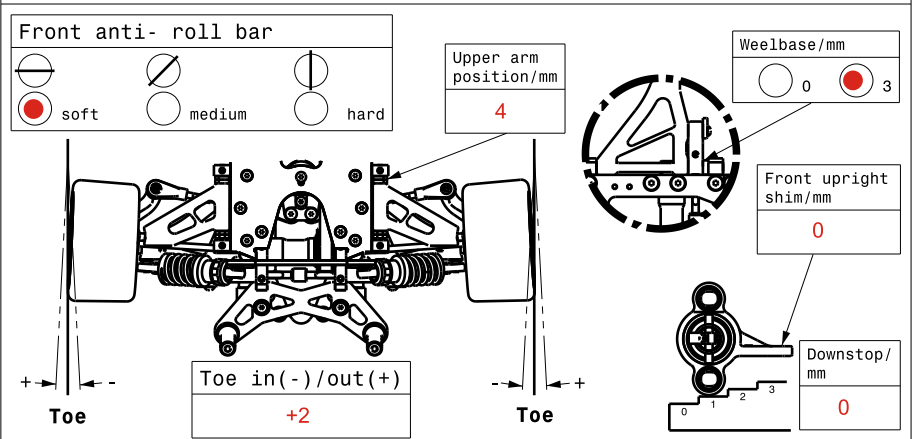
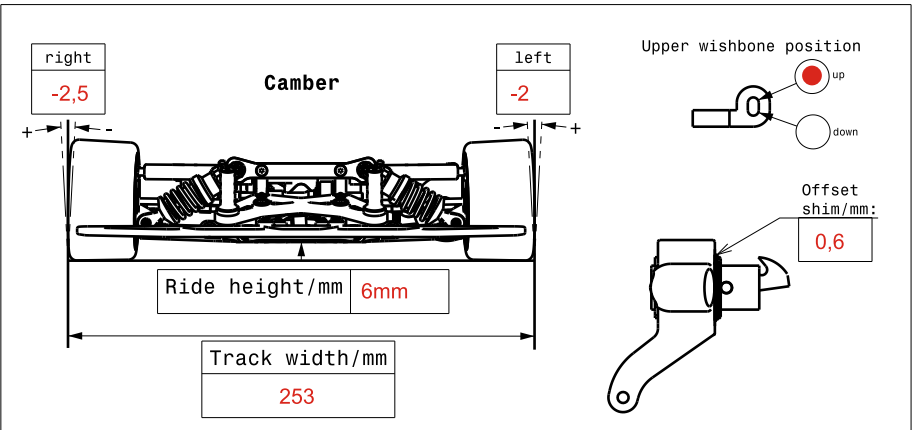
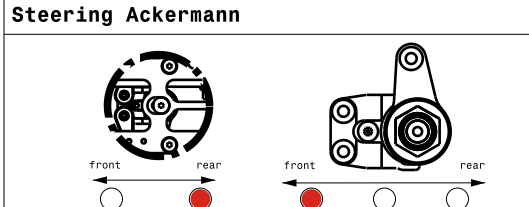
Spur 1st	Spur 2nd
<input type="radio"/> 48 <input checked="" type="radio"/> 49 <input type="radio"/> 50	<input type="radio"/> 45 <input checked="" type="radio"/> 46 <input type="radio"/> 47

Tyres		
Front left/right	brand	Rear left/right
Enneti / Enneti	Enneti	Enneti / Enneti
35 / 35	shore	35 / 35
67 / 68	diameter start/mm	73 / 74
/	diameter end/mm	/

Body	
Body position/mm	Spoiler position/mm
0,8	10

Rear shock		
Position	Piston (hole)	Oil
	2	650
	Spring	White

Front shock		
Position	Piston (hole)	Oil
	1	650
	Spring	White



**Comments:** European Champion B 2008