

Name _____

Date __/__/__

SETUP SHEET



Track location _____
 Track name _____
 Track length _____ m

Race Event _____
 Practice _____ Qualifying _____ Final _____

Race duration _____ min.

Track layout technical fast mixed
 Traction medium low high

Temperature Air Track

Results Laps _____ Time _____ Position _____
 Fastest lap _____ Tank duration _____

Engine _____
 Brand _____ Type _____
 Glowplug _____ Shims _____
 Carburator _____ Venturi _____

Exhaust _____
 Manifold _____
 Muffler _____

Fuel Brand _____ Type _____ Nitro _____ %

Clutch Type **VCC**
 Clutch shoe **Black** Flyweights **Original** Spring **Original**
 Bell clearance **0,5** Preload **2,5**

Drive ratio
 1st gear clutch bell 15 16 17 **X**
 2nd gear clutch bell 19 20 **X** 21
 1st gear gearbox 48 49 **X** 50
 2nd gear gearbox 45 46 **X** 47

Tyres
 Front left/right **Shepherd/Shepherd** Brand **Shore** Rear left/right **Shepherd/Shepherd**
32 / 32 Diameter start **74 / 74**
67 / 67 Diameter end /

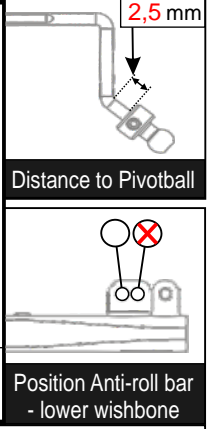
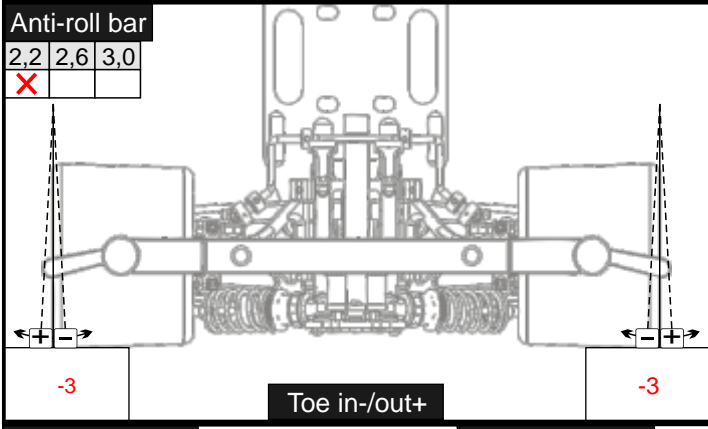
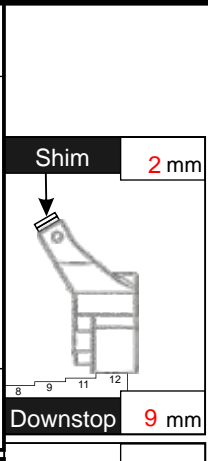
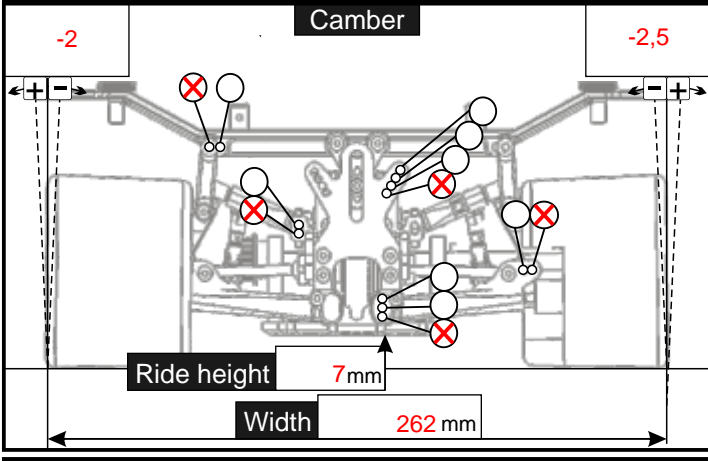
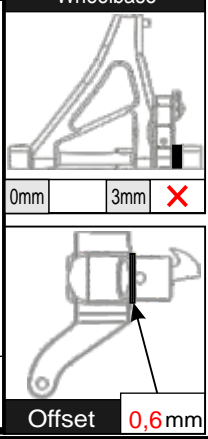
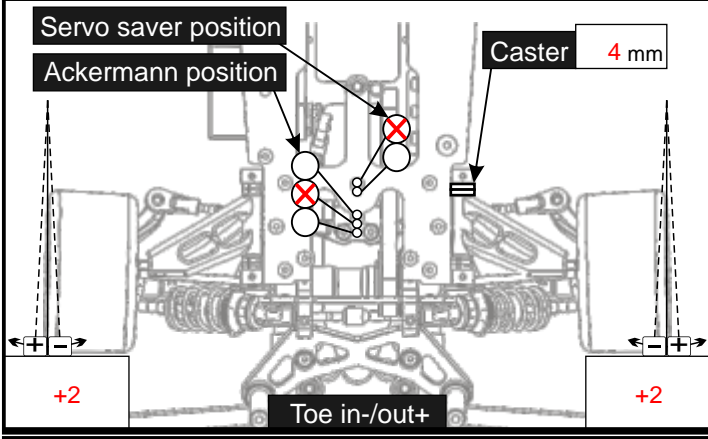
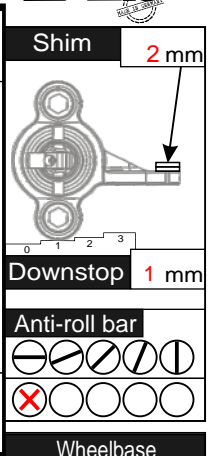
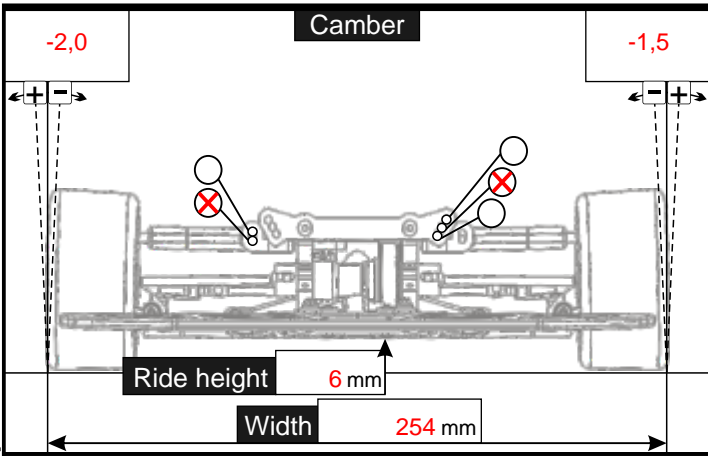
Excentric inserts

 Front _____ Rear _____

Radioplate Fix **X** Flex _____

Body Brand _____ Type _____
 Distance from bumper **15** mm
 Spoiler position **10** mm

Notes _____



Rear Shocks 1hole _____ 2hole **X** 3hole _____
 Shock oil **650** Spring **Blue**
Front Shocks 1hole **X** 2hole _____ 3hole _____
 Shock oil **650** Spring **Blue**