

Name _____

Date __/__/__

SETUP SHEET



Track location _____
 Track name _____
 Track length _____ m

Race Event _____
 Practice _____ Qualifying _____ Final _____

Race duration _____ min.

Track layout technical fast mixed

Traction medium low high

Temperature Air _____ Track _____

Results Laps _____ Time _____ Position _____
 Fastest lap _____ Tank duration _____

Engine _____
 Brand _____ Type _____
 Glowplug _____ Shims _____
 Carburator _____ Venturi _____

Exhaust _____
 Manifold _____
 Muffler _____

Fuel Brand _____ Type _____ Nitro _____ %

Clutch Type _____
 Clutch shoe _____ Flyweights _____ Spring _____
 Bell clearance _____ Preload _____

Drive ratio
 1st gear clutch bell _____ 2nd gear clutch bell _____
 15 16 17 19 20 21
 1st gear gearbox _____ 2nd gear gearbox _____
 48 49 50 45 46 47

Tyres
 Front left/right _____ Brand _____ Rear left/right _____
 / Shore _____ /
 / Diameter start _____ /
 / Diameter end _____ /

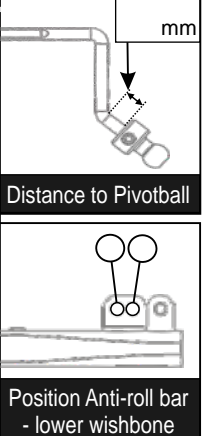
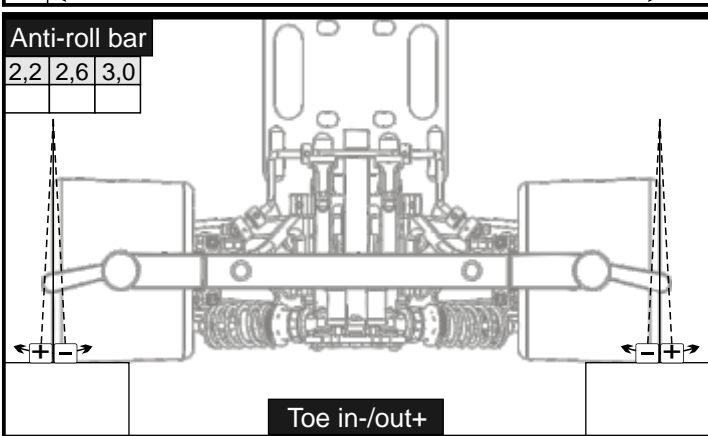
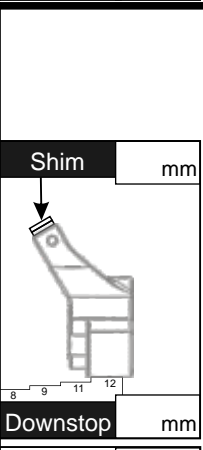
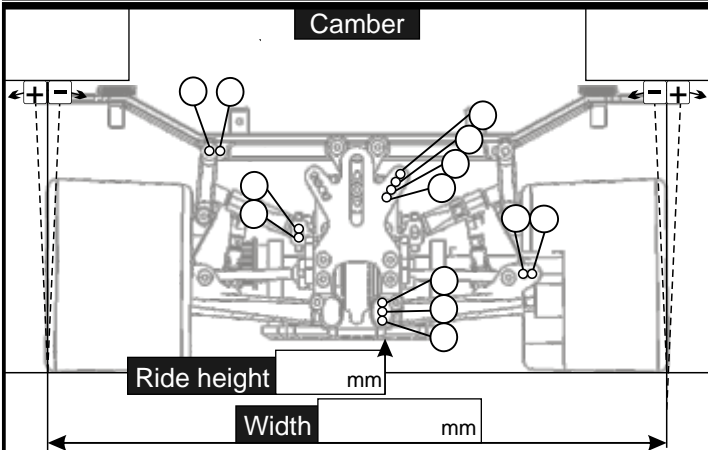
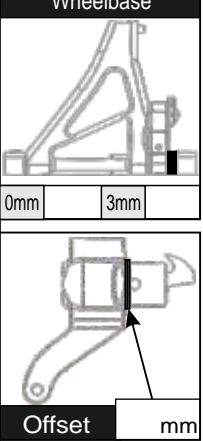
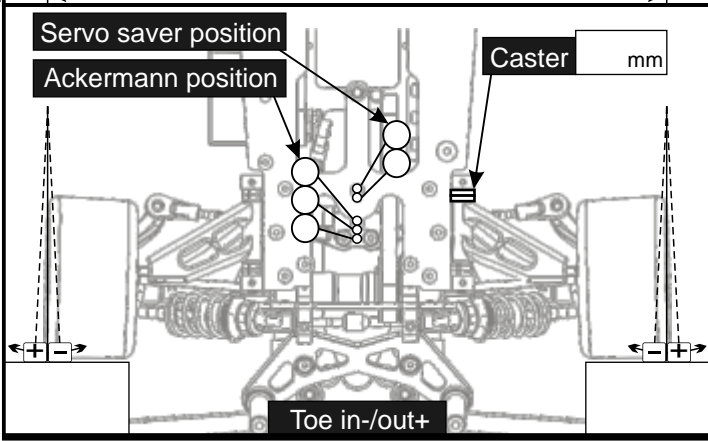
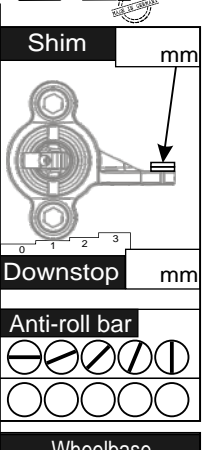
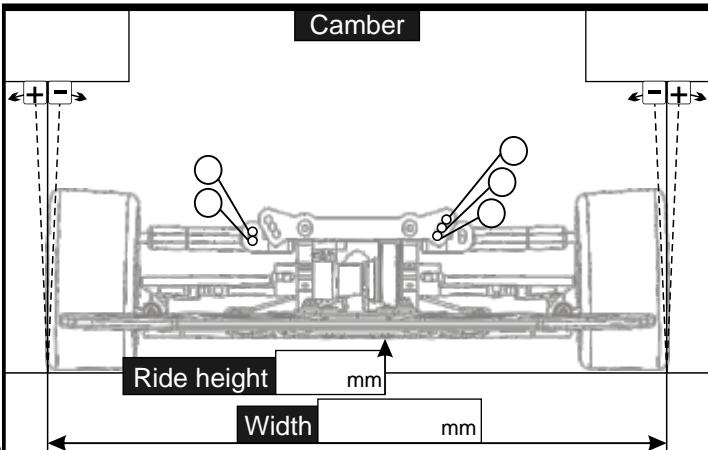
Excentric inserts

 Front _____ Rear _____

Radioplate Fix Flex

Body Brand _____ Type _____
 Distance from bumper _____ mm
 Spoiler position _____ mm

Notes _____



Rear Shocks
 1hole _____ 2hole _____ 3hole _____
 Shock oil _____ Spring _____

Front Shocks
 1hole _____ 2hole _____ 3hole _____
 Shock oil _____ Spring _____