

Track location	Miami					
Track name	Homestead RC Speedway					
Track length	m					
Race Event						
Practice	<input checked="" type="checkbox"/>	Qualifying	<input type="checkbox"/>	Final	<input type="checkbox"/>	
Race duration	min.					
Track layout	technical	<input type="checkbox"/>	fast	<input type="checkbox"/>	mixed	<input checked="" type="checkbox"/>
Traction	medium	<input checked="" type="checkbox"/>	low	<input type="checkbox"/>	high	<input type="checkbox"/>
Temperature	Air		Track			
Results	Laps		Time		Position	
	Fastest lap	15,9	Tank duration	4		

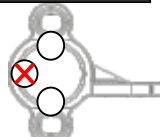
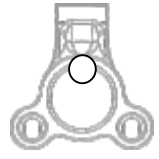
Engine			
Brand	Novarossi	Type	Flash.21 PTS
Glowplug	C7TGF	Shims	
Carburator		Venturi	
Exhaust			
Manifold			
Muffler			

Fuel	Brand	Byron	Type		Nitro	25 %
------	-------	--------------	------	--	-------	-------------

Clutch	Type	Shepherd VCC	
Clutch shoe	Flyweights	Spring	
Yellow	Light	Shepherd	
Bell clearance	Preload		
0,55	3,3		

Drive ratio			
1st gear clutch bell		2nd gear clutch bell	
15	16 <input checked="" type="checkbox"/>	17	
1st gear gearbox		2nd gear gearbox	
48	49 <input checked="" type="checkbox"/>	50	
		45	46 <input checked="" type="checkbox"/>
		47	

Tyres			
Front left/right	Brand	Rear left/right	
Shepherd/Shepherd	Shore	35 / 35	
32 / 32	Diameter start	74 / 74	
67 / 67	Diameter end		

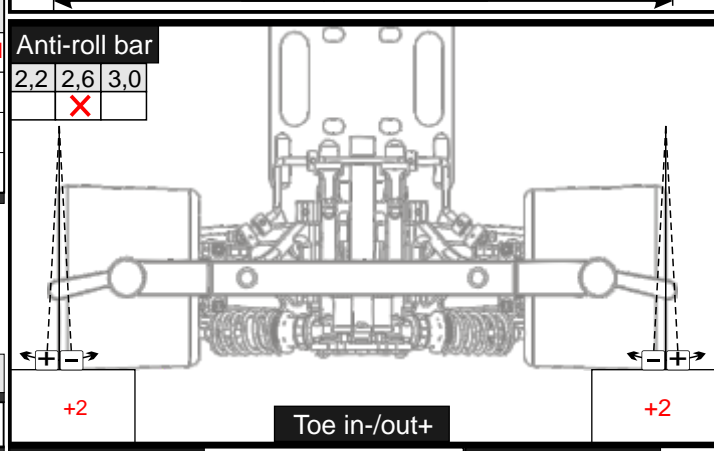
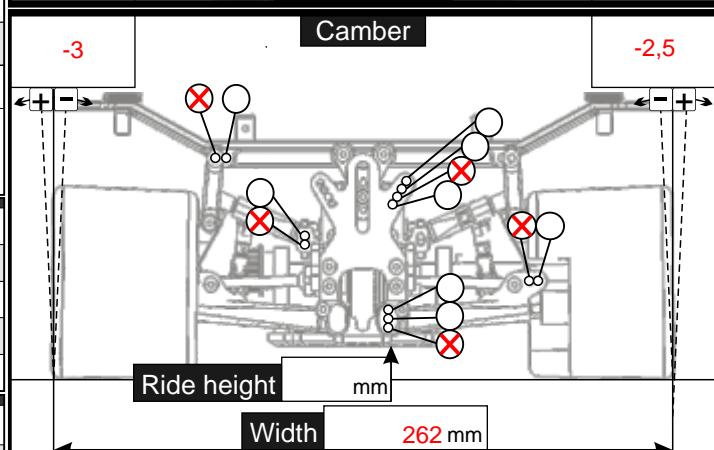
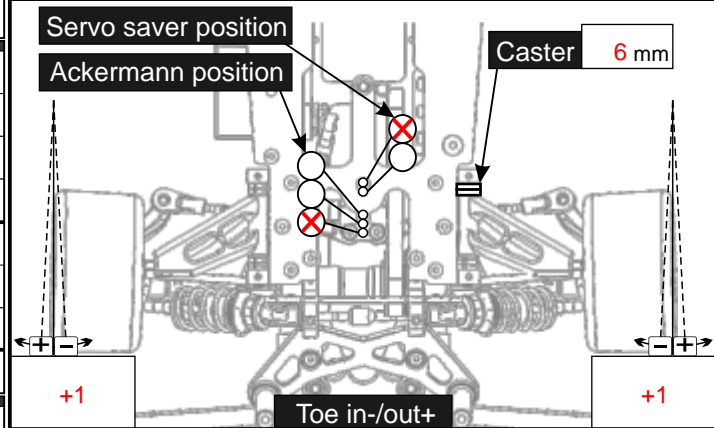
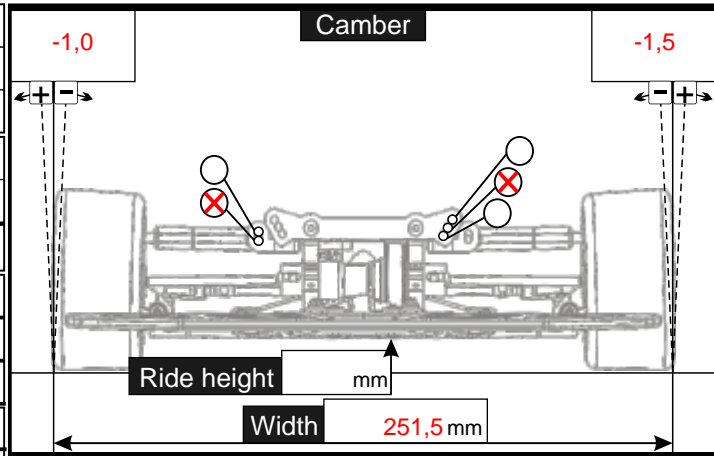
Excentric inserts	
	
Front	Rear

Radioplate	Fix	Flex	<input checked="" type="checkbox"/>
------------	-----	------	-------------------------------------

Body	Brand	Protoform	Type	P909
Distance from bumper				20 mm
Spoiler position				3 mm

Notes

- Steel wheelaxle in the rear
- Alu wheelaxle in the front
- Superflex
- 25T pulley side
- no floating piston spring



Rear Shocks	1hole	<input checked="" type="checkbox"/>	2hole	<input type="checkbox"/>	3hole	<input type="checkbox"/>	Front Shocks	1hole	<input type="checkbox"/>	2hole	<input type="checkbox"/>	3hole	<input checked="" type="checkbox"/>	
Shock oil	500			Spring	Blue			Shock oil	850			Spring	Blue	

