

Name _____ Date / /

Track location			
Track name			
Track length			m
Race Event			
Practice	Qualifying	Final	
Race duration			min.
Track layout		technical	fast mixed
Traction		low	medium high
Temperature		Air	Track
Results		Laps	Time Position
		Fastest lap	Tank duration

Engine	
Brand	Type
Glowplug	Shims
Carburator	Venturi
Exhaust	
Manifold	
Muffler	
Fuel	Brand Nitro %

Clutch		Type
Clutch shoe	Flyweights	Spring
Bell clearance		Preload

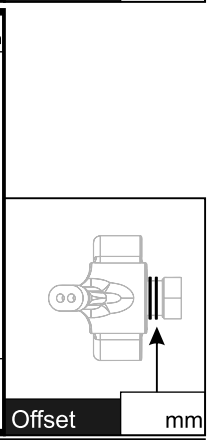
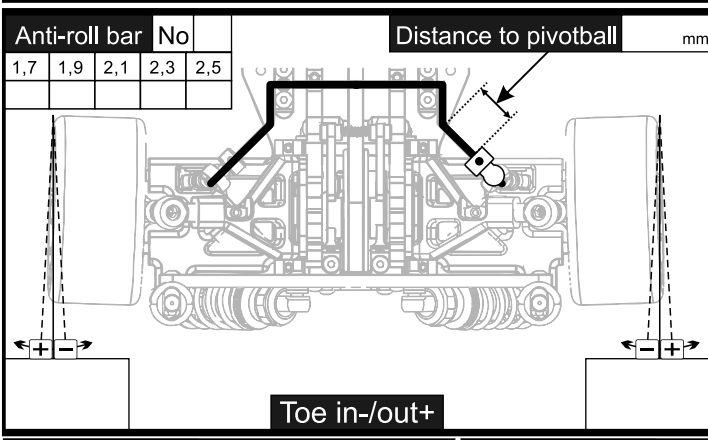
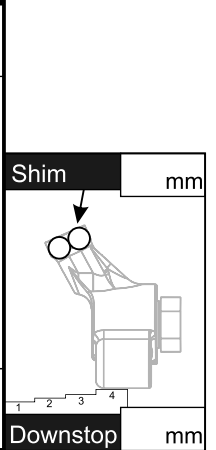
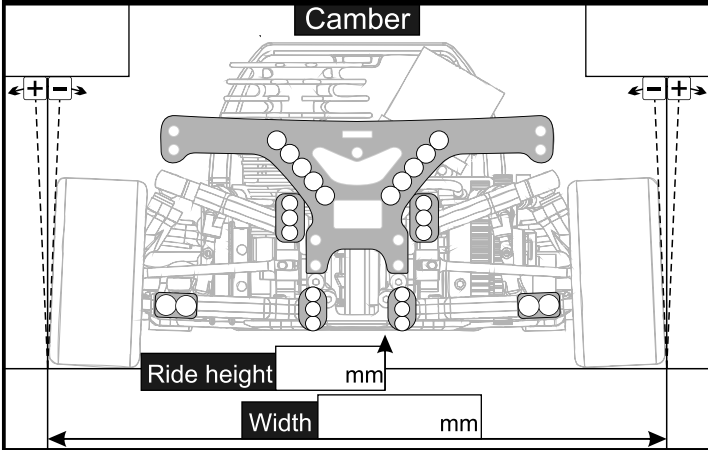
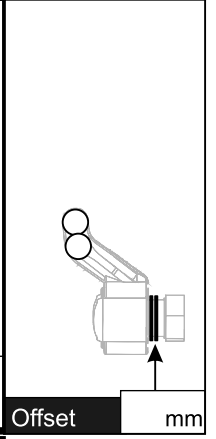
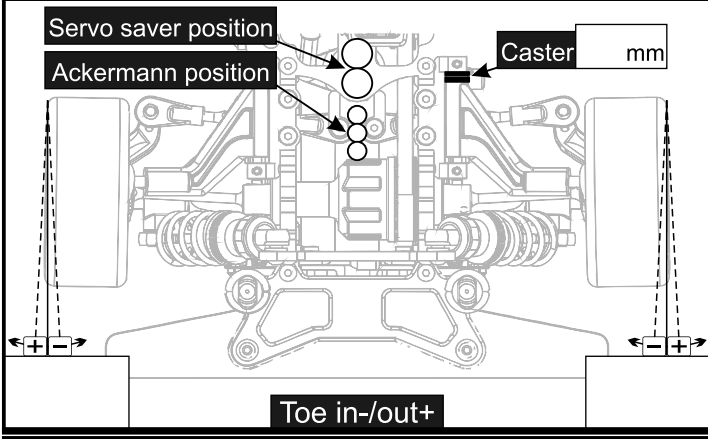
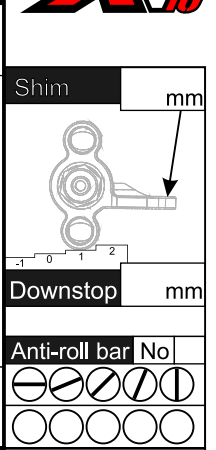
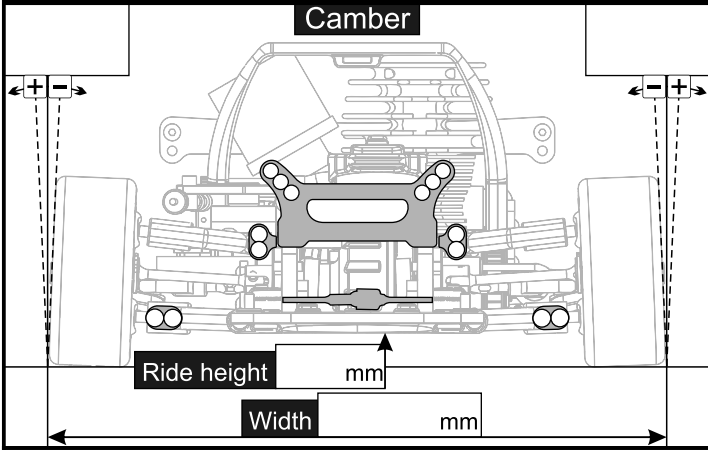
Drive ratio					
1st gear clutch bell			2nd gear clutch bell		
	17	18	21	22	23
1st gear gearbox			2nd gear gearbox		
58	59	60	53	54	55

Tyres	
Front left/right	Rear left/right
/	Brand /
/	Shore /
/	Diameter start /
/	Diameter end /

Front differential	
Differential	Solid axle One way
Oil	cST
Rear differential	
Oil	cST

Body		Brand	Type
Distance from bumper		mm	
Spoiler	width	height	mm
Position	distance to body rear mm		
Winglets	mm	x	mm

Notes



Rear Shocks			
Piston	1hole	2hole	3hole
Spring floating piston	Soft	Hard	
Shock oil			
Spring			

Front Shocks			
Piston	1hole	2hole	3hole
Spring floating piston	Soft	Hard	
Shock oil			
Spring			