

Track location	<b>Ettlingen</b>		
Track name			
Track length	<b>238 m</b>		
Race Event	<b>EFRA EC-A 2011</b>		
Practice	Qualifying	<input checked="" type="checkbox"/>	Final
Race duration	<b>7 min.</b>		
Track layout	technical	fast <input checked="" type="checkbox"/>	mixed
Traction	low	medium	high <input checked="" type="checkbox"/>
Temperature	Air	Track	
Results	Laps <b>31</b>	Time <b>7:11.4</b>	Position
	Fastest lap <b>13.491</b>	Tank duration <b>4min.</b>	

Engine			
Brand		Type	
Glowplug		Shims	
Carburator		Venturi	
Exhaust			
Manifold			
Muffler			
Fuel	Brand <b>MLC</b>	Nitro <b>16</b>	%

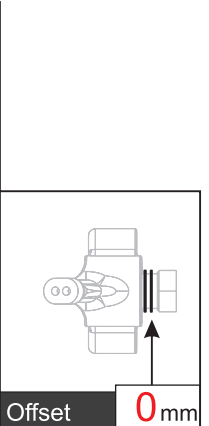
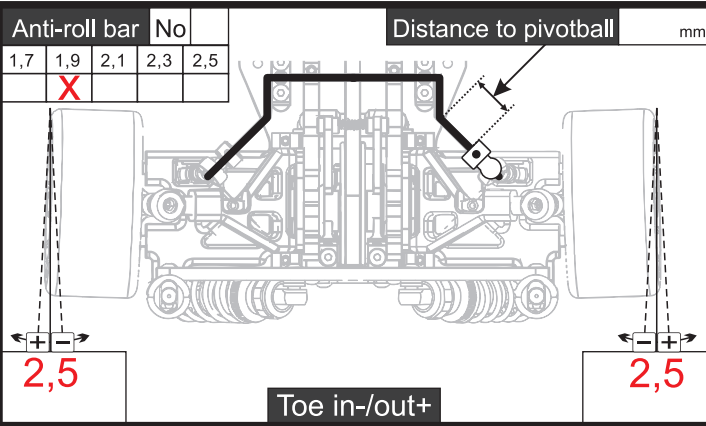
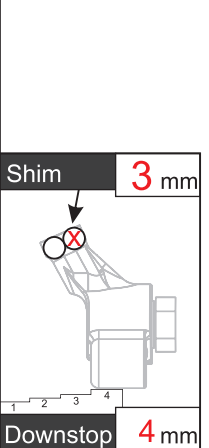
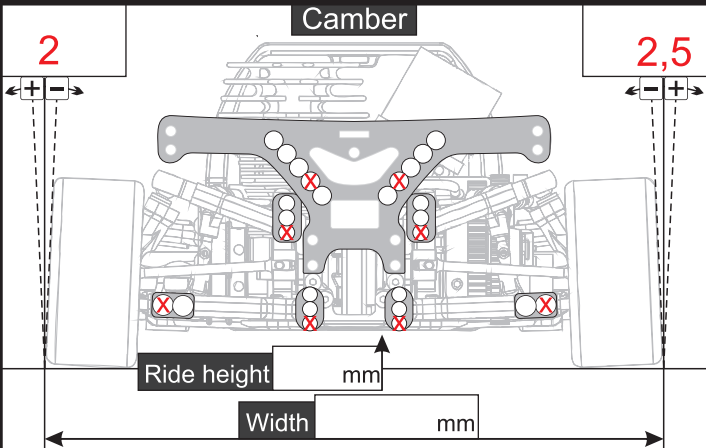
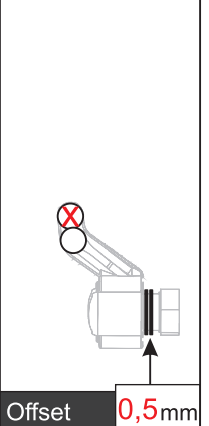
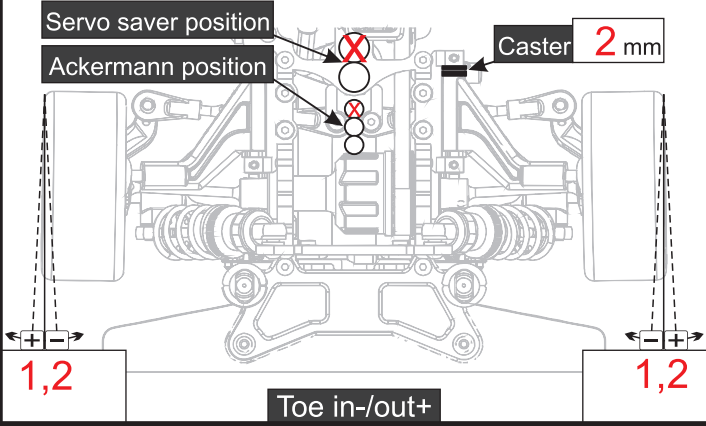
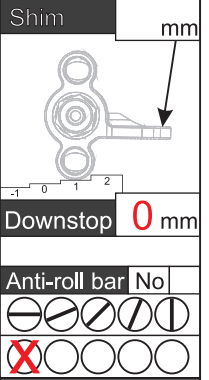
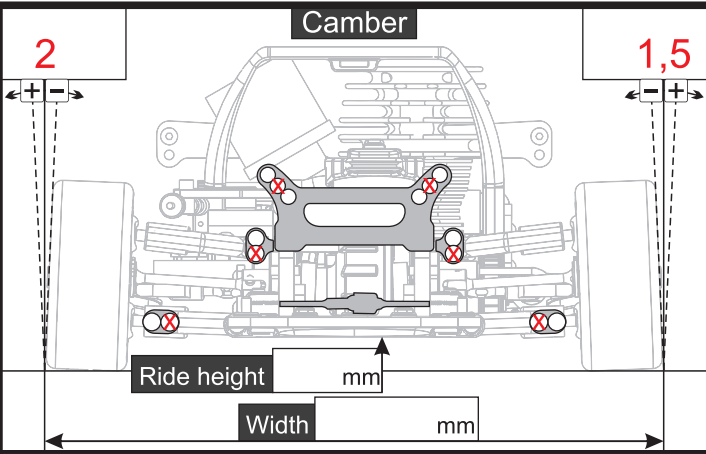
Clutch	Type <b>16</b>		
Clutch shoe	Flyweights	Spring	
<b>yellow</b>	<b>std.</b>	<b>std.</b>	
Bell clearance	Preload		
<b>0,45</b>	<b>0,7</b>		

Drive ratio							
1st gear clutch bell	17 <input checked="" type="checkbox"/>	18	2nd gear clutch bell	21	22 <input checked="" type="checkbox"/>	23	
1st gear gearbox	58	59 <input checked="" type="checkbox"/>	60	2nd gear gearbox	53	54 <input checked="" type="checkbox"/>	55

Tyres	<b>Matrix Carbon</b>		
Front left/right	Brand	Rear left/right	
<b>32 / 32</b>	<b>Shore</b>	<b>37 / 37</b>	
<b>59 / 60</b>	Diameter start	<b>61,5 / 62,5</b>	
/	Diameter end	/	

Front differential			
Differential	<input checked="" type="checkbox"/> Solid axle	One way	
Oil	<b>200.000 cSt</b>		
Rear differential			
Oil	<b>60.000 cSt</b>		

Body	Brand <b>Protoform</b>	Type <b>P37</b>			
Distance from bumper	mm				
Spoiler	width	mm	height	mm	
Position	distance to body rear mm				
Winglets	-	mm	x	-	mm



Rear Shocks			
Piston	1hole	2hole <input checked="" type="checkbox"/>	3hole
Spring floating piston	Soft	<input checked="" type="checkbox"/> Hard	
Shock oil	<b>500cSt</b>		
Spring	<b>bright green</b>		

Front Shocks			
Piston	1hole	2hole <input checked="" type="checkbox"/>	3hole
Spring floating piston	Soft	<input checked="" type="checkbox"/> Hard	
Shock oil	<b>500cSt</b>		
Spring	<b>bright green</b>		

Notes **- Driveshaft aluminium rear**