

Track location	Melzo		
Track name			
Track length	m		
Race Event	ENS		
Practice	Qualifying	Final	
Race duration	min.		
Track layout	technical	fast	X mixed
Traction	low	medium	X high
Temperature	Air	25	Track
Results	Laps	Time	Position
	Fastest lap	Tank duration	

Engine	Orcan GT3 RS		
Brand	Type		
Glowplug	OS 6	Shims	
Carburator	1/1/4	Venturi	
Exhaust	HIPEX 2669		
Manifold	C+		
Muffler			
Fuel	Brand	Maxima	Nitro 16 %
Clutch	Type	steel	
Clutch shoe	yellow	Weights	stock
		Spring	shep
Bell clearance	0.6	Preload	1.1

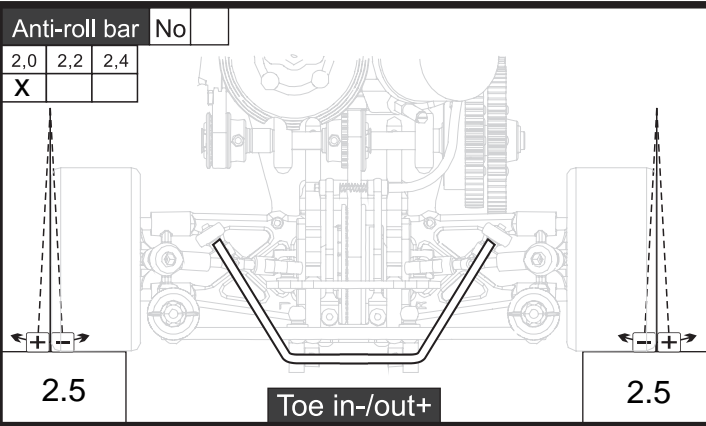
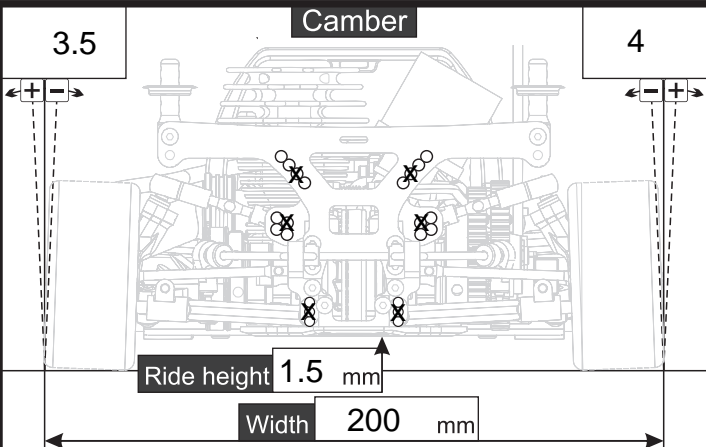
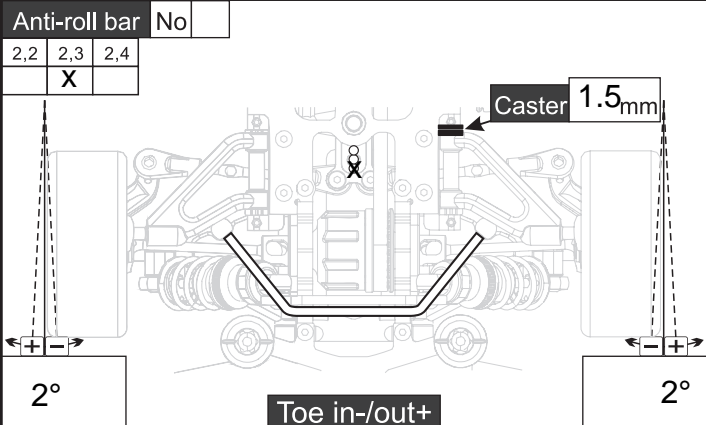
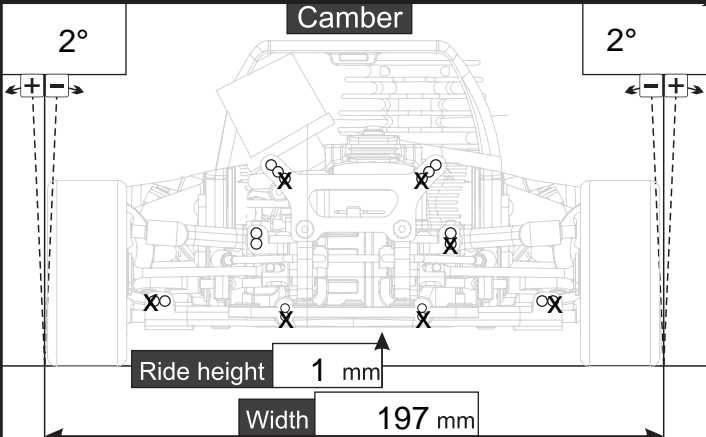
Drive ratio		
1st gear clutch bell	2nd gear clutch bell	
16 X 17 18	21 22 X 23	
1st gear gearbox	2nd gear gearbox	
58 59 X 60	53 54 X 55	

Tyres		
Front left/right	Rear left/right	
Matrix / spec	Brand	/
/ 37	Shore	/ 40
/ 62	Diameter start	/ 64
/	Diameter end	/

Front differential		
Differential	X Solid axle	One way
Oil	2.5mil	cST
Rear differential		
Oil	100k	cST

Body	Brand	spark	Type
Distance from bumper	mm		
Spoiler	width	mm	height
			mm
Position	distance to body rear	10	mm
Winglets	max	mm	x
		max	mm

Notes



Rear Shocks			
Piston	1hole	2hole X	3hole
Spring floating piston	Soft	Hard	
Shock oil	400	Extra-Soft	X
Spring	shepherd green		

Front Shocks			
Piston	1hole	2hole X	3hole
Spring floating piston	Soft	Hard	
Shock oil	400	Extra-Soft	X
Spring	shepherd green		