

Name **Patrick Schäfer**

Date **15. / 06. / 2014**

Track location		Hockenheim	
Track name			
Track length		m	
Race Event			
Practice	Qualifying	Final	
Race duration		min.	
Track layout		technical	fast <input type="checkbox"/> mixed <input checked="" type="checkbox"/>
Traction		low <input type="checkbox"/> medium <input checked="" type="checkbox"/> high <input type="checkbox"/>	
Temperature		Air	Track
Results		Laps	Time
		Fastest lap	Position
		Tank duration	

Engine		Sonic X.12-FT	
Brand	Sonic	Type	factory-tuned
Glowplug	S6C	Shims	standard
Carburator		Venturi	
Exhaust			
Manifold		standard	
Muffler		Sonic EFRA 2679	
Fuel	Brand	Maxima	Nitro 16 %

Clutch		Type tuning	
Clutch shoe	Flyweights	Spring	
yellow	standard	standard	
Bell clearance	Preload		
0,55	1,2		

Drive ratio			
1st gear clutch bell		2nd gear clutch bell	
16	17 <input checked="" type="checkbox"/> 18	21	22 <input checked="" type="checkbox"/> 23
1st gear gearbox		2nd gear gearbox	
58	59 <input checked="" type="checkbox"/> 60	53 <input checked="" type="checkbox"/> 54	55

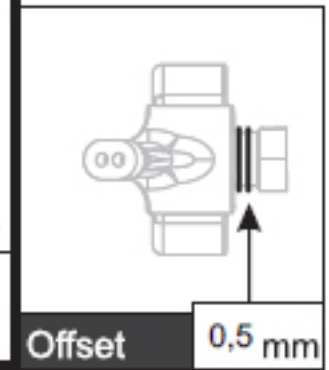
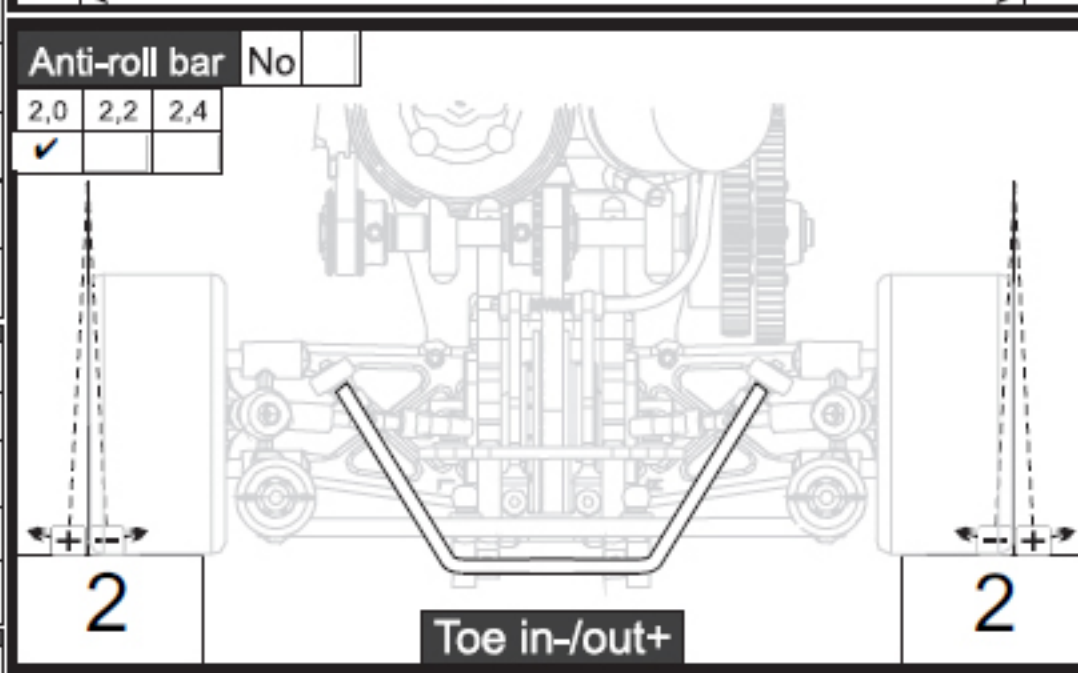
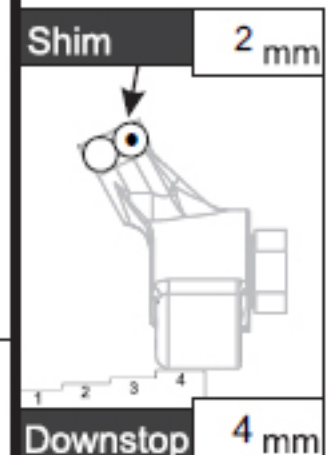
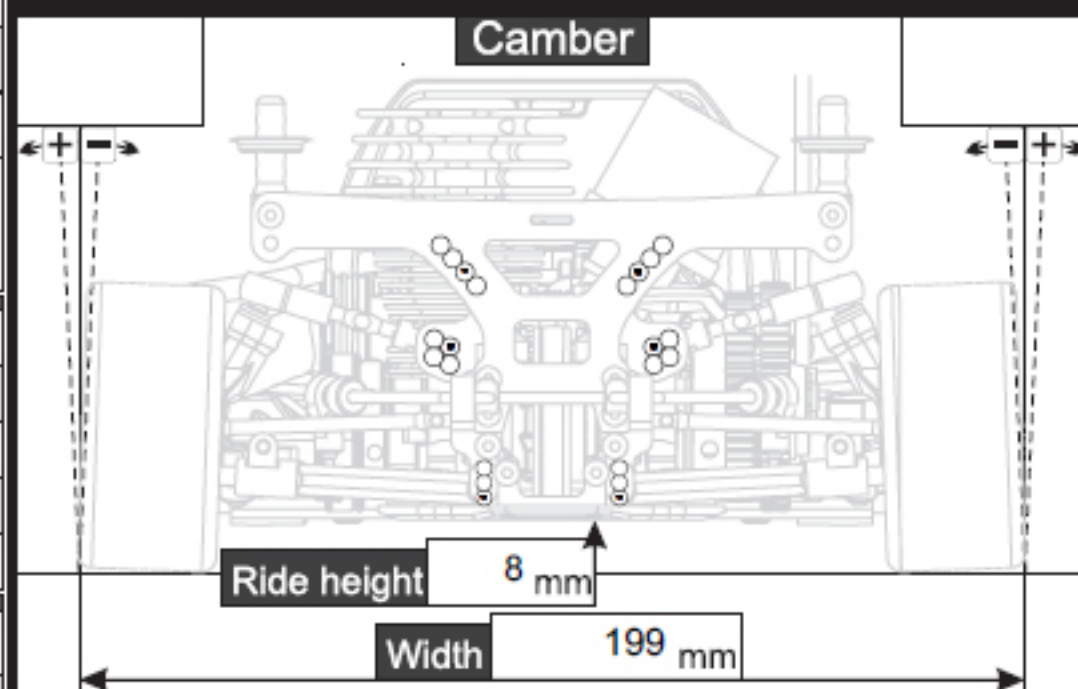
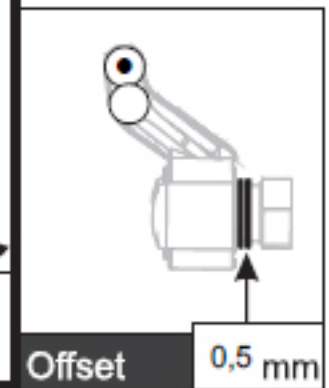
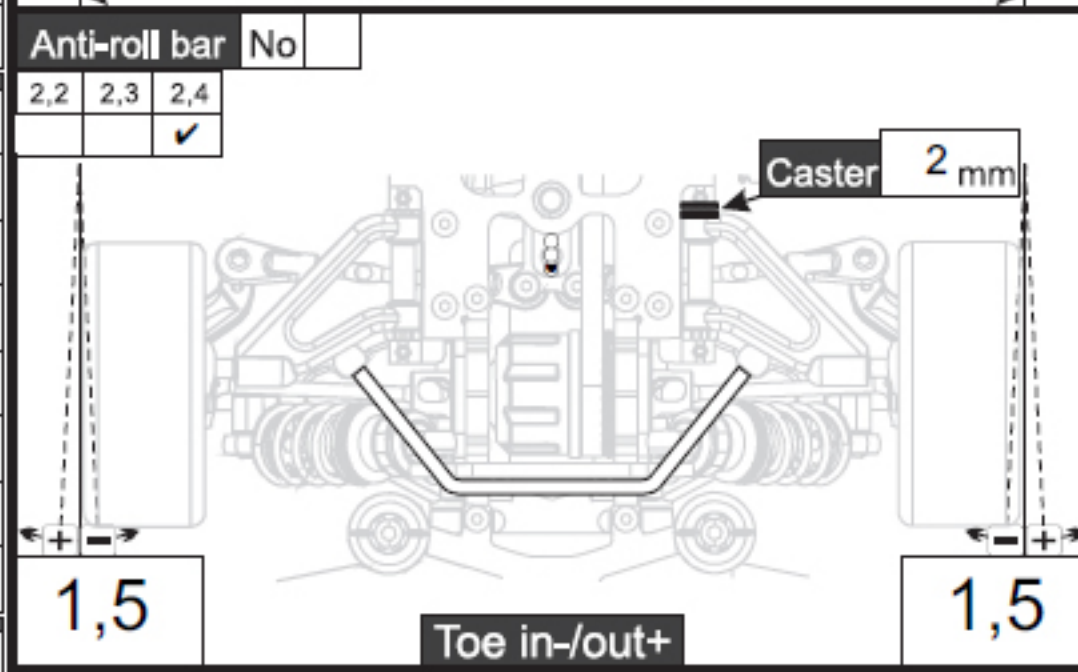
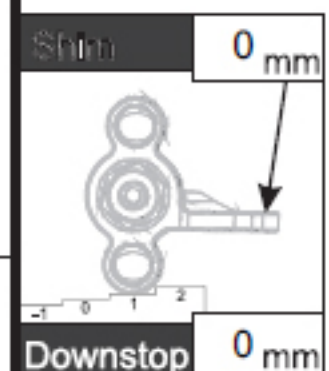
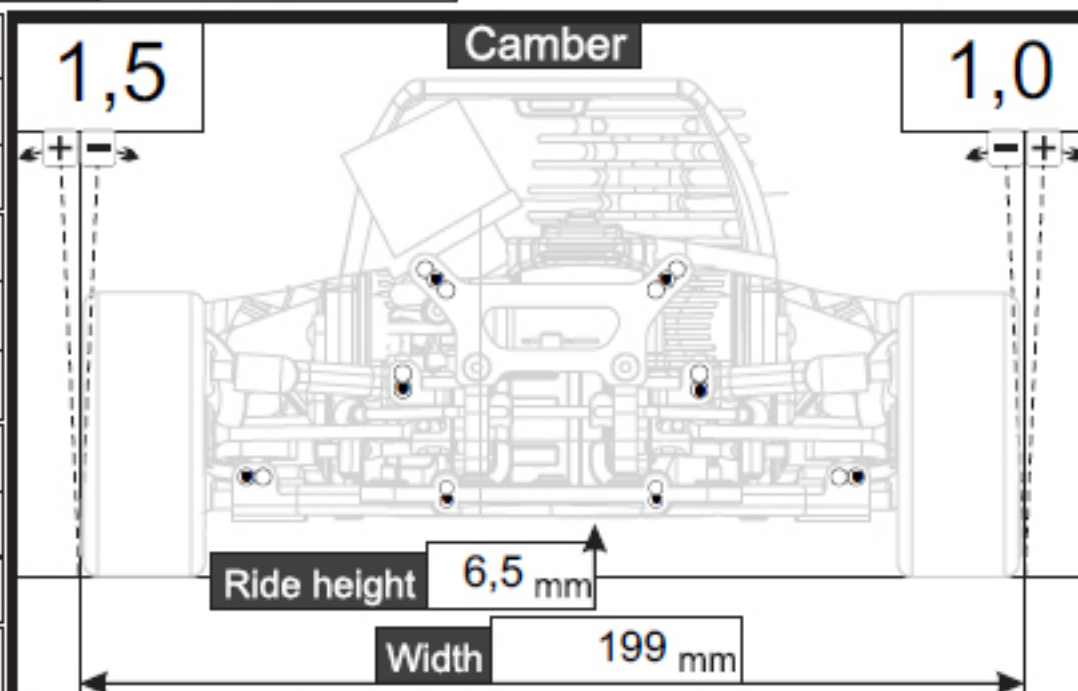
Tyres		handout / enneti	
Front left/right		Rear left/right	
Brand		Shore	
Diameter start		Diameter end	

Front differential			
Differential	<input checked="" type="checkbox"/> Solid axle	<input type="checkbox"/> One way	
Oil	300K cST		
Rear differential			
Oil	60K cST		

Body	Brand	SRC	Type	Spark
Distance from bumper	mm			
Spoiler	width	max mm	height	max mm
Position	distance to body rear 0 mm			
Winglets	max mm	x	max mm	

Notes

- aluminium driveshafts rear
- aluminium wheelaxles front
- shock piston holes drilled to 1,2mm



Rear Shocks				Front Shocks			
Piston	1hole	2hole	3hole <input checked="" type="checkbox"/>	Piston	1hole	2hole	3hole <input checked="" type="checkbox"/>
Spring floating piston	Soft	Hard		Spring floating piston	Soft	Hard	
Shock oil	500	Extra-Soft <input checked="" type="checkbox"/>		Shock oil	500	Extra-Soft <input checked="" type="checkbox"/>	
Spring	black			Spring	black		

Rear Shocks				Front Shocks			
Piston	1hole	2hole	3hole <input checked="" type="checkbox"/>	Piston	1hole	2hole	3hole <input checked="" type="checkbox"/>
Spring floating piston	Soft	Hard		Spring floating piston	Soft	Hard	
Shock oil	500	Extra-Soft <input checked="" type="checkbox"/>		Shock oil	500	Extra-Soft <input checked="" type="checkbox"/>	
Spring	black			Spring	black		

- titanium pivot balls
- brass battery mount