

Track location	Hockenheim		
Track name			
Track length	330 m		
Race Event	ENS Round 1		
Practice	Qualifying	X	Final
Race duration	4 min.		
Track layout	technical	fast X	mixed
Traction	low	medium X	high
Temperature	Air 18	Track	
Results	Laps 12	Time 4:04	Position 2
	Fastest lap 19,995		Tank duration

Engine	Sonic V.12RS - FT		
Brand		Type	
Glowplug	S6C	Shims	0,3
Carburator		Venturi	
Exhaust			
Manifold	standard		
Muffler	Sonic 2669		
Fuel	Brand MLC	Nitro	16 %

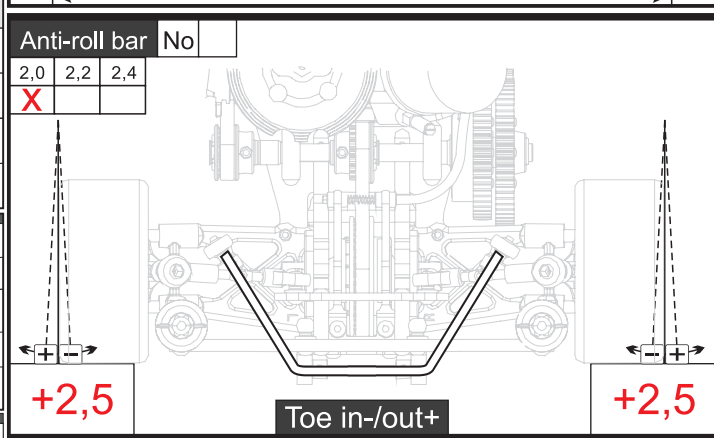
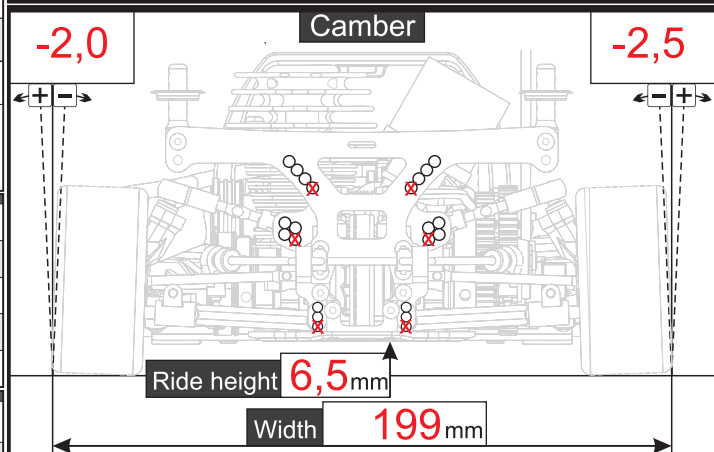
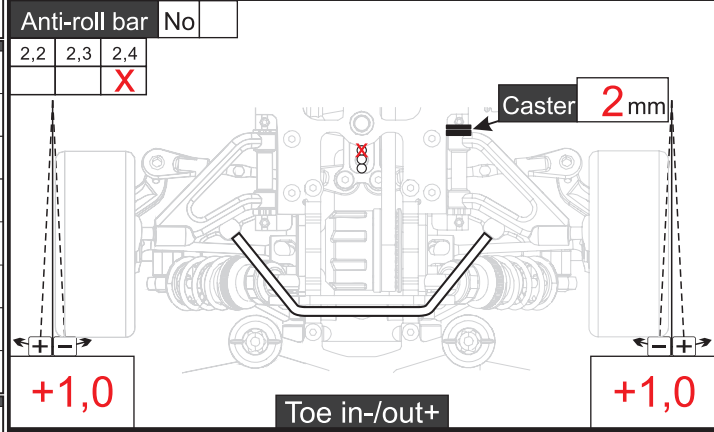
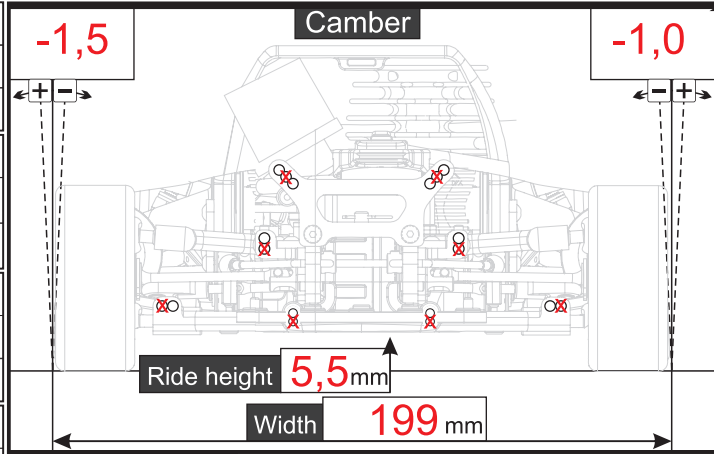
Clutch	Type Shepherd VCC	
Clutch shoe	Flyweights	Spring
yellow	standard	standard
Bell clearance	Preload	
0,5	0,8	

Drive ratio		
1st gear clutch bell	2nd gear clutch bell	
16 17 X 18	21 22 X 23	
1st gear gearbox	2nd gear gearbox	
58 59 X 60	53 54 X 55	

Tyres	ENS spec Enneti	
Front left/right	Brand	Rear left/right
37/37	Shore	40/40
62/62	Diameter start	64/64
61/61	Diameter end	62,5/62

Front differential		
Differential	X Solid axle	One way
Oil	300.000 cST	
Rear differential		
Oil	60.000 cST	

Body	Brand Protoform	Type P37
Distance from bumper	mm	
Spoiler	width max mm	height max mm
Position	distance to body rear	0 mm
Winglets	49 mm x	35 mm



Anti-roll bar	No		
	2,2	2,3	2,4
			X

Rear Shocks			
Piston	1hole	2hole	3hole X
Spring floating piston	Soft	Hard	
Shock oil	500	Extra-Soft	X
Spring	green		

Front Shocks			
Piston	1hole	2hole X	3hole
Spring floating piston	Soft	Hard	
Shock oil	500	Extra-Soft	X
Spring	green		

Notes