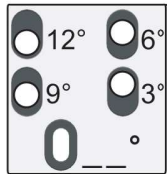
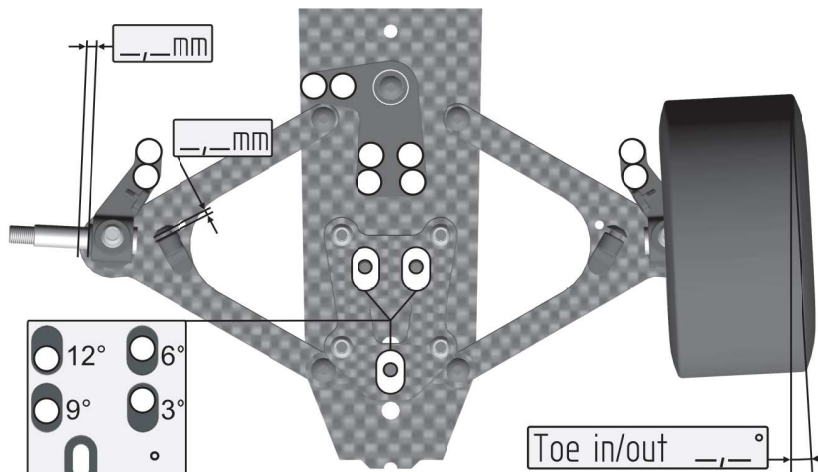
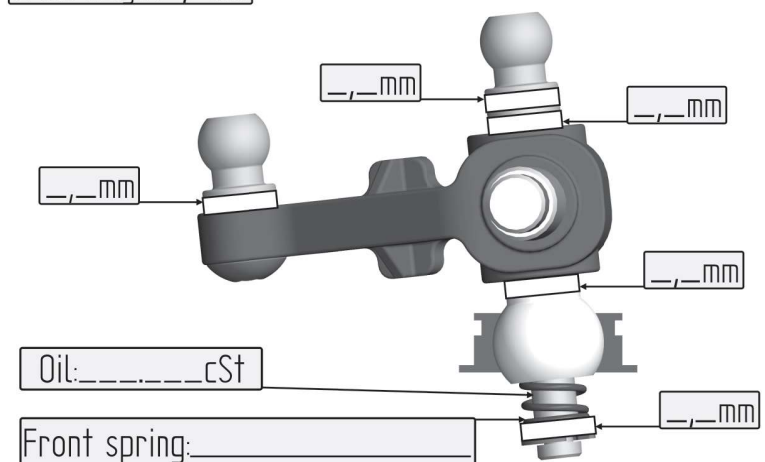
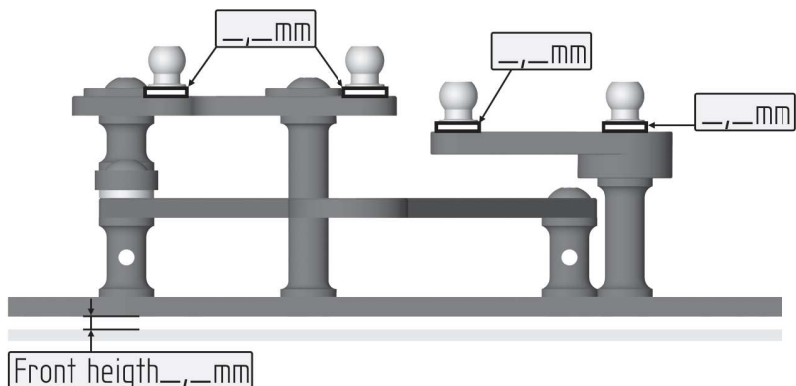


Camber right    °

Camber left    °



Toe in/out    °



Name: \_\_\_\_\_  
 Date: \_\_\_\_\_  
 Event: \_\_\_\_\_  
 Track: \_\_\_\_\_  
 Surface:  Carpet  Asphalt  
 Traction:  high  medium  low  
 Layout:  technical  mixed  fast  
 Best lap: \_\_\_\_\_

**FRONT**

**REAR**

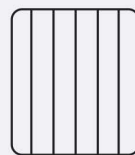
Tyres: \_\_\_\_\_

Additive \_\_\_\_\_

Add. Timing \_\_\_\_\_



Additive treated area



Diff setting:

loose medium tight

Center shock:

Spring: \_\_\_\_\_ Piston: \_\_\_\_\_  
 Oil:     cSt Rebound:     %  
 F.p. spring: \_\_\_\_\_  
 Length:     mm Preload:     mm

Side shock:

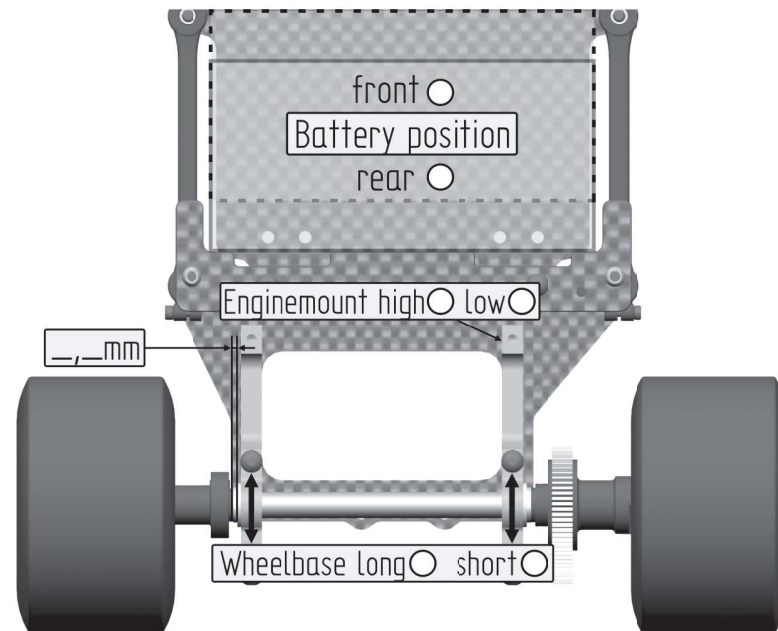
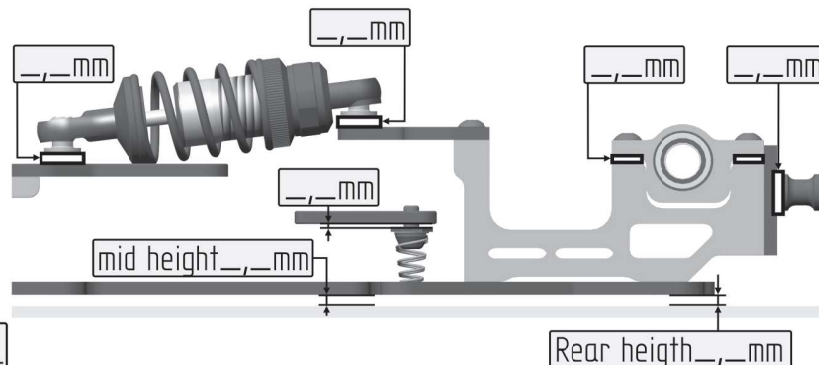
Spring: \_\_\_\_\_ Oil:     cSt

Gearing:

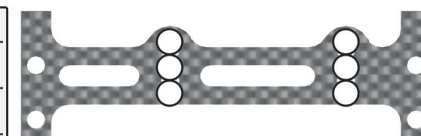
    T     T  
 Pinion Spur gear Drive ratio

Electronics:

Motor: \_\_\_\_\_  
 Speedo: \_\_\_\_\_  
 Battery: \_\_\_\_\_  
 Servo: \_\_\_\_\_



Body: \_\_\_\_\_  
 Rear wing: \_\_\_\_\_  
 Front wing: \_\_\_\_\_



Notes: \_\_\_\_\_  
 \_\_\_\_\_  
 \_\_\_\_\_  
 \_\_\_\_\_

