

Name: Carlos Peracho
 Date:
 Track: Puerto de Santa Maria/Cadiz

VELOX SET-UP SHEET

Track condition:
 Surface: ● SMOOTH ○ MEDIUM ○ BUMPY
 Size: ○ TIGHT ● MEDIUM ○ FAST
 Traction: ○ LOW ● MEDIUM ○ HIGH

Engine			
Engine	Muffler	Manifold	Plug
JP	2015		

Clutch		
Clutch shoe	Centrifugal shoe	Spring
White	std	std

Clutch bell clearance/mm	Adj. nut position/mm
0,8	

Drive ratio		
Pinion 1st	Pinion 2nd	Pulley
● 16 ○ 17	○ 19 ● 20 ○ 21	● 26 ○ 25

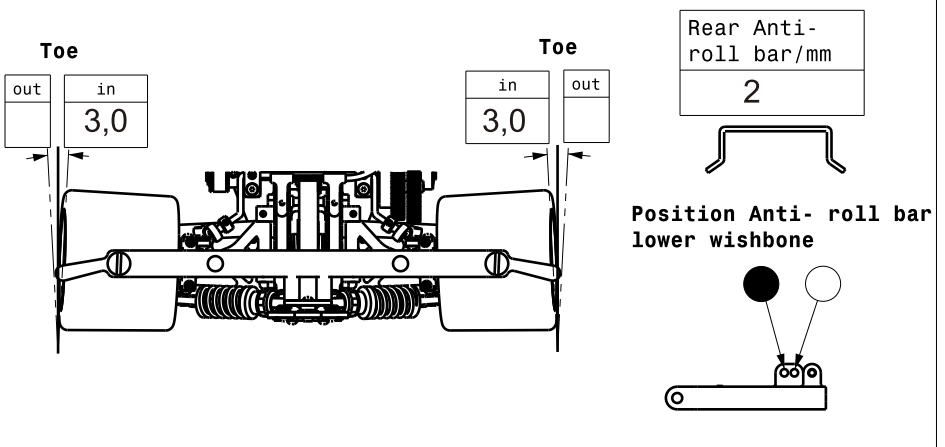
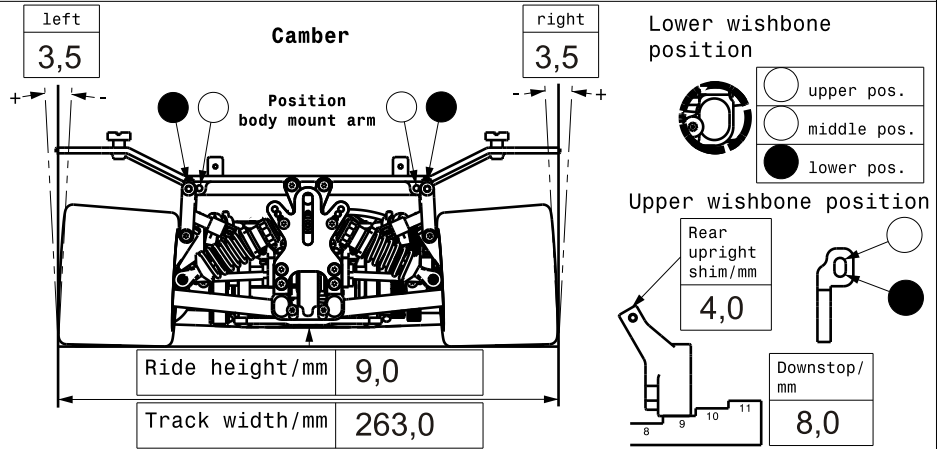
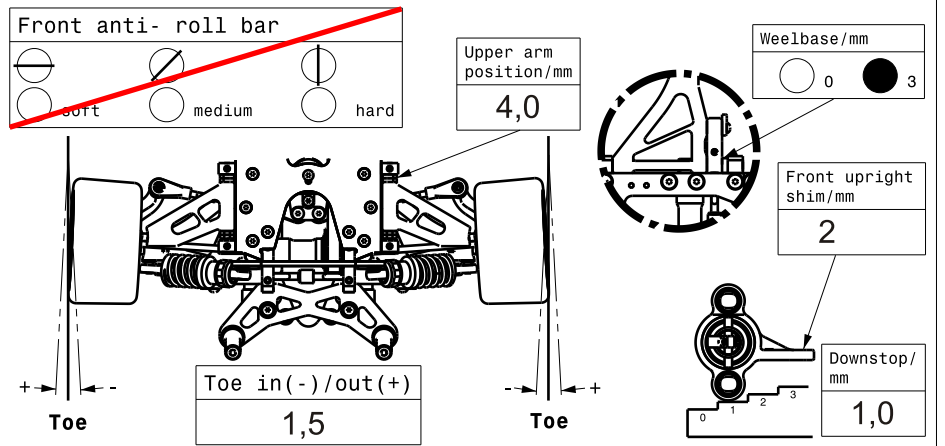
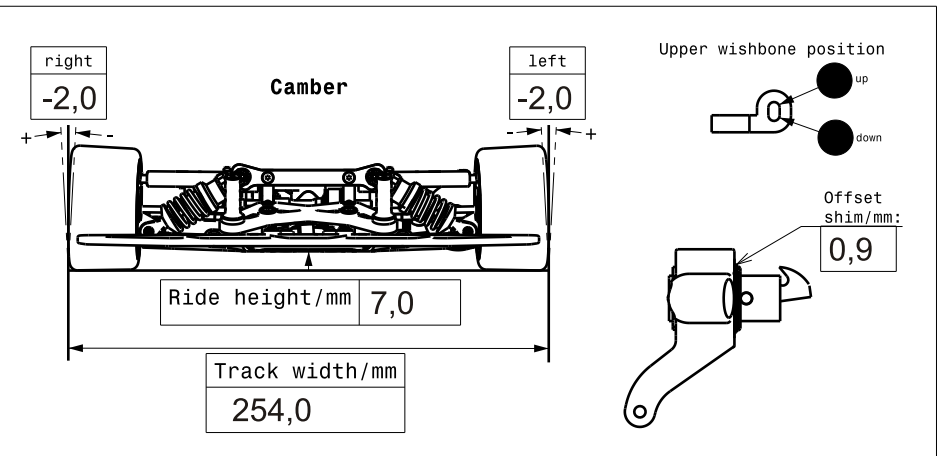
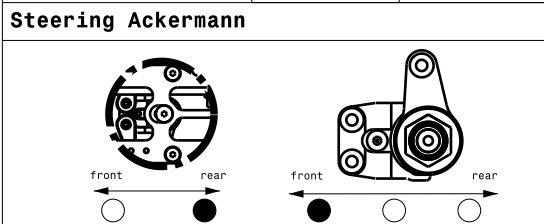
Spur 1st		Spur 2nd	
○ 48 ● 49 ○ 50		○ 45 ● 46 ○ 47	

Tyres		
Front left/right		Rear left/right
PMT/PMT	brand	PMT/PMT
32 / 32	shore	35 / 35
69 / 69	diameter start/mm	76 / 76
/	diameter end/mm	/

Body	
Body position/mm	Spoiler position/mm
12	6

Rear shock		
Position	Piston (hole)	
		2
	Oil	800
	Spring	RED

Front shock		
Position	Piston (hole)	
		1
	Oil	500
	Spring	RED



Comments:
 No front anti-roll bar
 TQ