

Name: Daniele Ielasi
 Date:
 Track: Leno / Italy

VELOX SET-UP SHEET

Track condition:
 Surface: SMOOTH MEDIUM BUMPY
 Size: TIGHT MEDIUM FAST
 Traction: LOW MEDIUM HIGH

Engine

| Engine | Muffler | Manifold | Plug |
|--------|---------|----------|------|
| IDM | | | |

Clutch

| Clutch shoe | Centrifugal shoe | Spring |
|-------------|------------------|--------|
| Black | std | std |

| Clutch bell clearance/mm | Adj. nut position/mm |
|--------------------------|----------------------|
| 0,7 | |

Drive ratio

| Pinion 1st | Pinion 2nd | Pulley |
|---|---|---|
| <input type="radio"/> 16 <input checked="" type="radio"/> 17 | <input type="radio"/> 19 <input type="radio"/> 20 <input checked="" type="radio"/> 21 | <input checked="" type="radio"/> 26 <input type="radio"/> 25 |

| Spur 1st | Spur 2nd |
|---|---|
| <input type="radio"/> 48 <input type="radio"/> 49 <input checked="" type="radio"/> 50 | <input type="radio"/> 45 <input checked="" type="radio"/> 46 <input type="radio"/> 47 |

Tyres

| Front left/right | | Rear left/right |
|------------------|-------------------|-----------------|
| ATS / ATS | brand | ATS / ATS |
| 32 / 32 | shore | 35 / 35 |
| 67 / 67 | diameter start/mm | 74 / 74 |
| / | diameter end/mm | / |

Body

| Body position/mm | Spoiler position/mm |
|------------------|---------------------|
| 14 | 5 |

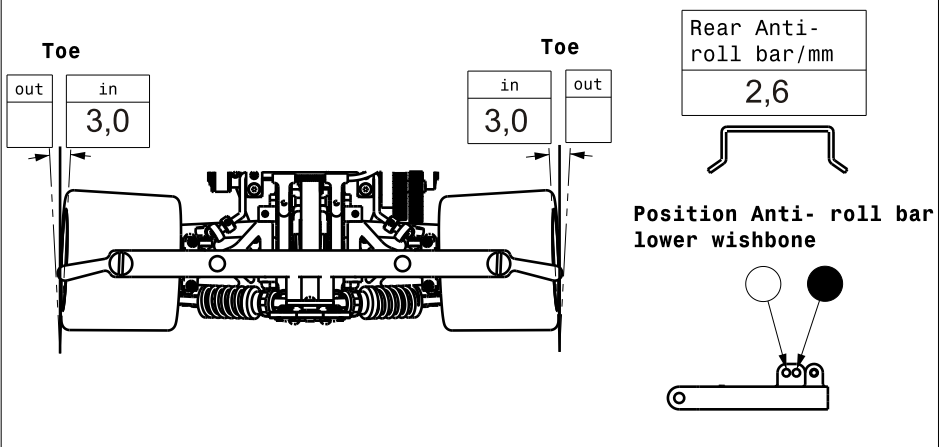
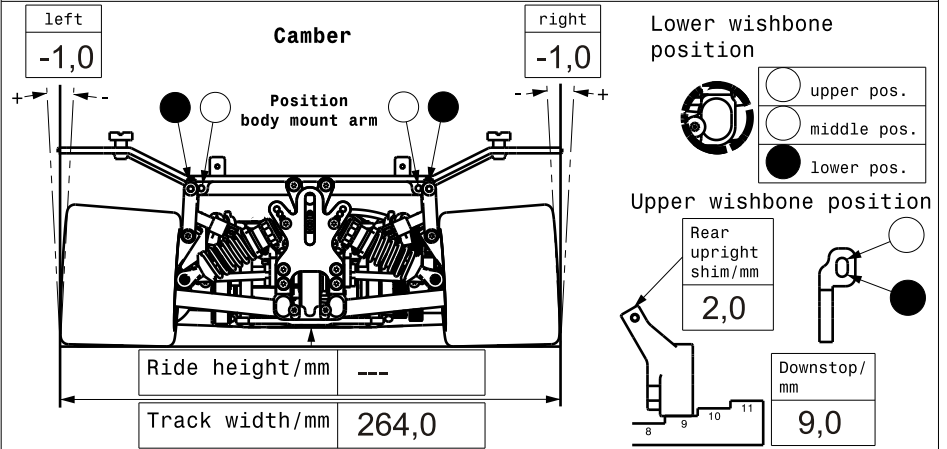
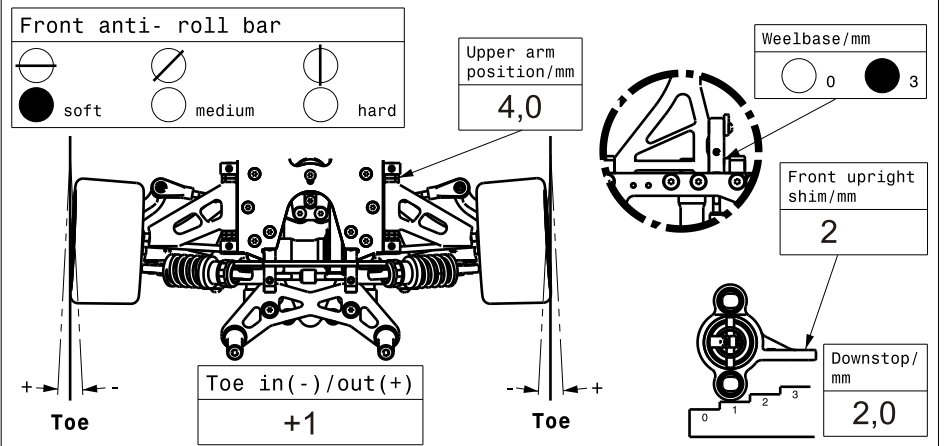
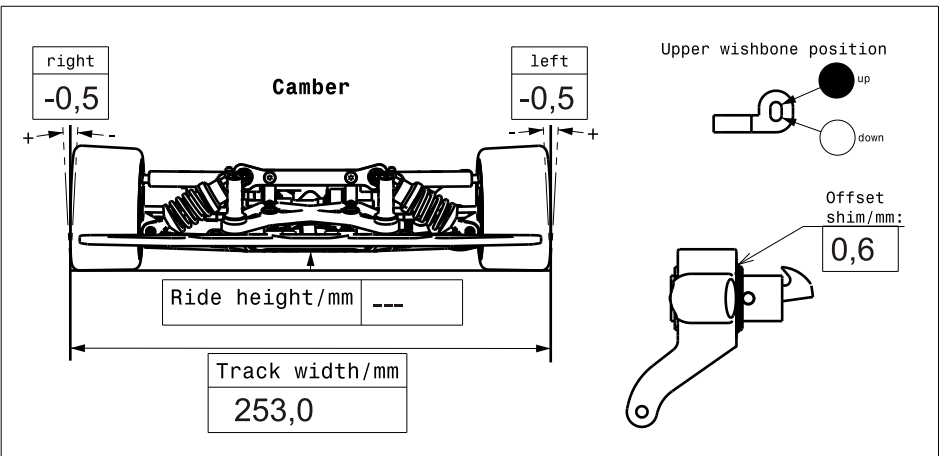
Rear shock

| Position | Piston (hole) | |
|----------|---------------|-------|
| | | 2 |
| | Oil | 650 |
| | Spring | white |

Front shock

| Position | Piston (hole) | |
|----------|---------------|-------|
| | | 1 |
| | Oil | 500 |
| | Spring | white |

Steering Ackermann



Comments:
 No front anti-roll bar
 TQ