

# VELOX SET-UP SHEET

Name: \_\_\_\_\_  
 Date: \_\_\_\_\_  
 Track: \_\_\_\_\_

**Track condition:**  
 Surface:  SMOOTH  MEDIUM  BUMPY  
 Size:  TIGHT  MEDIUM  FAST  
 Traction:  LOW  MEDIUM  HIGH

**Engine**

| Engine | Muffler | Manifold | Plug |
|--------|---------|----------|------|
|        |         |          |      |

**Clutch**

| Clutch shoe | Centrifugal shoe | Spring |
|-------------|------------------|--------|
|             |                  |        |

|                          |                      |
|--------------------------|----------------------|
| Clutch bell clearance/mm | Adj. nut position/mm |
|                          |                      |

**Drive ratio**

| Pinion 1st               | Pinion 2nd               | Pulley                   |
|--------------------------|--------------------------|--------------------------|
| <input type="radio"/> 16 | <input type="radio"/> 19 | <input type="radio"/> 26 |
| <input type="radio"/> 17 | <input type="radio"/> 20 | <input type="radio"/> 25 |
|                          | <input type="radio"/> 21 |                          |

| Spur 1st                 | Spur 2nd                 |
|--------------------------|--------------------------|
| <input type="radio"/> 48 | <input type="radio"/> 45 |
| <input type="radio"/> 49 | <input type="radio"/> 46 |
| <input type="radio"/> 50 | <input type="radio"/> 47 |

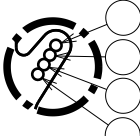
**Tyres**

| Front left/right | brand             | Rear left/right |
|------------------|-------------------|-----------------|
| /                |                   | /               |
| /                | shore             | /               |
| /                | diameter start/mm | /               |
| /                | diameter end/mm   | /               |

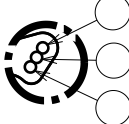
**Body**

|                  |                     |
|------------------|---------------------|
| Body position/mm | Spoiler position/mm |
|                  |                     |

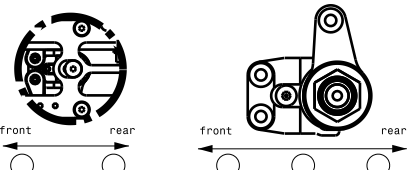
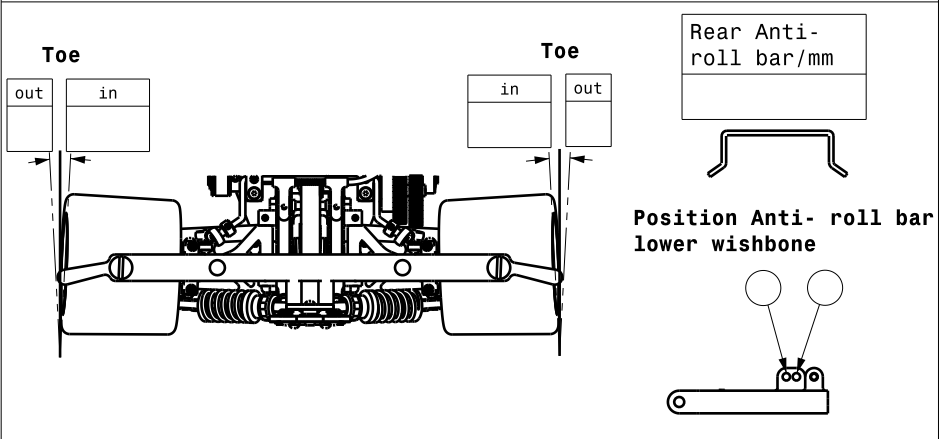
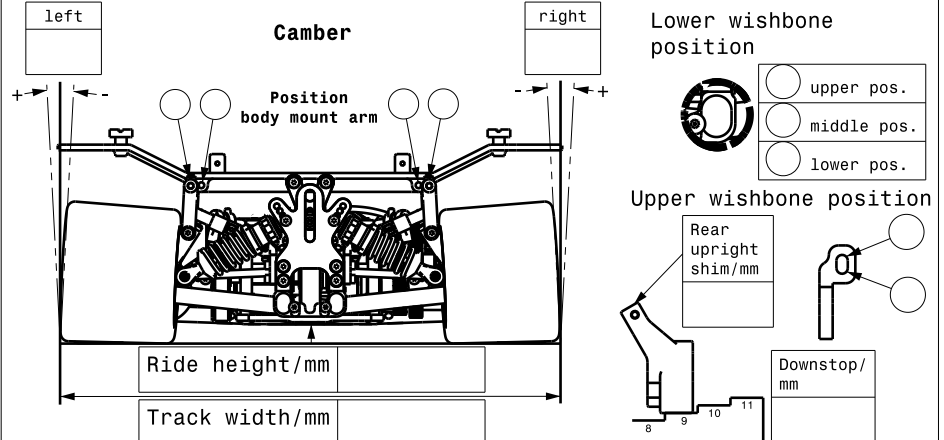
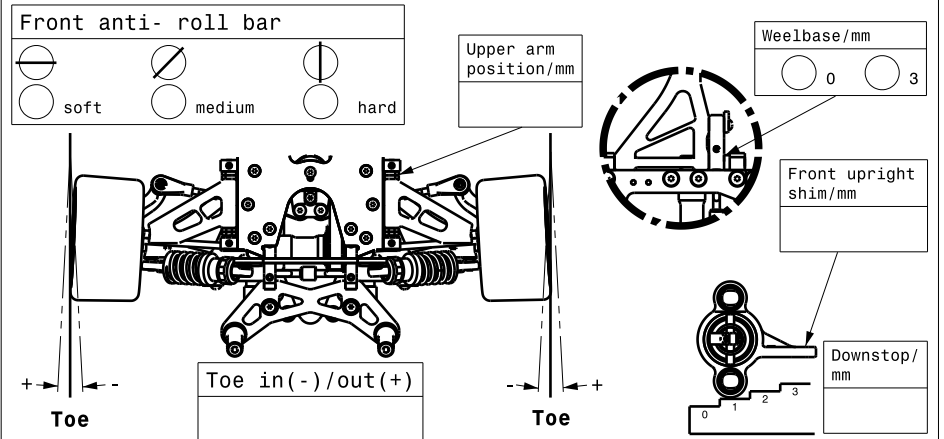
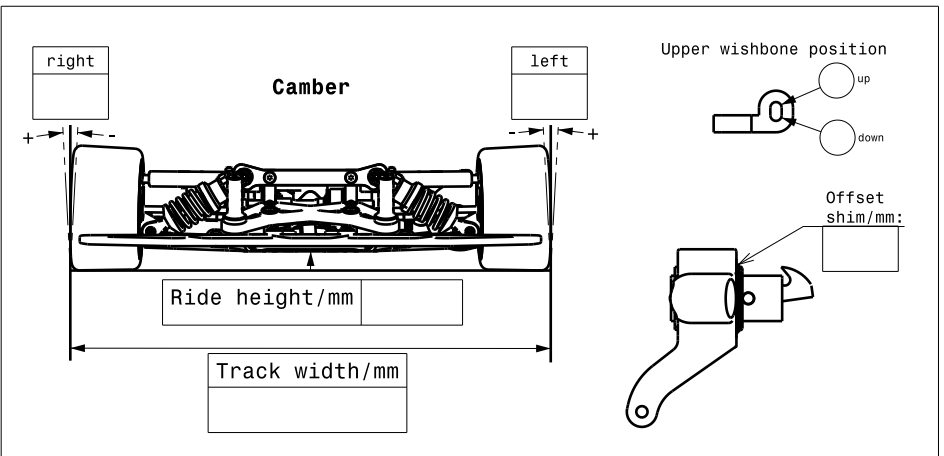
**Rear shock**

|  |               |  |
|--|---------------|--|
|  | Piston (hole) |  |
|  | Oil           |  |
|  | Spring        |  |

**Front shock**

|  |               |  |
|--|---------------|--|
|  | Piston (hole) |  |
|  | Oil           |  |
|  | Spring        |  |

**Steering Ackermann**

**Comments:**