

Name **Marc Rheinard** Date **29 / 07 / 2010**

Track location	Porter/Texas/USA		
Track name	Gulf Coast Raceway		
Track length	260	m	
Race Event	WC 2010		
Practice	Qualifying	<input checked="" type="checkbox"/>	Final
Race duration	10:00	min.	
Track layout	technical	fast	mixed <input checked="" type="checkbox"/>
Traction	low	medium <input checked="" type="checkbox"/>	high
Temperature	Air 26°C	Track	21°C
Results	Laps 34	Time 10:00,629	Position 8
	Fastest lap 17,267	Tank duration 5:25	

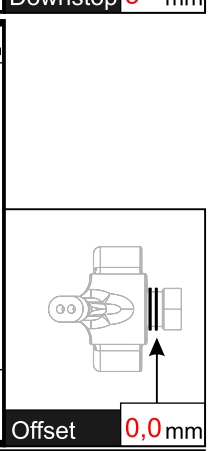
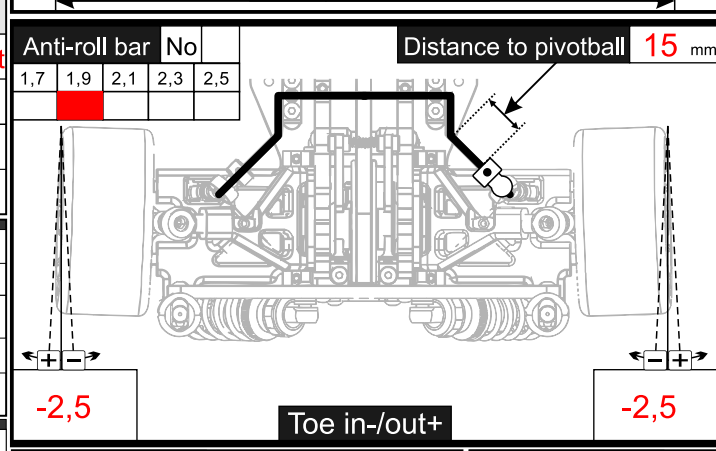
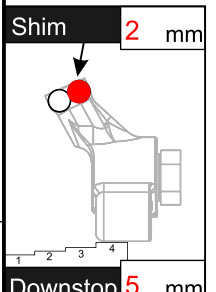
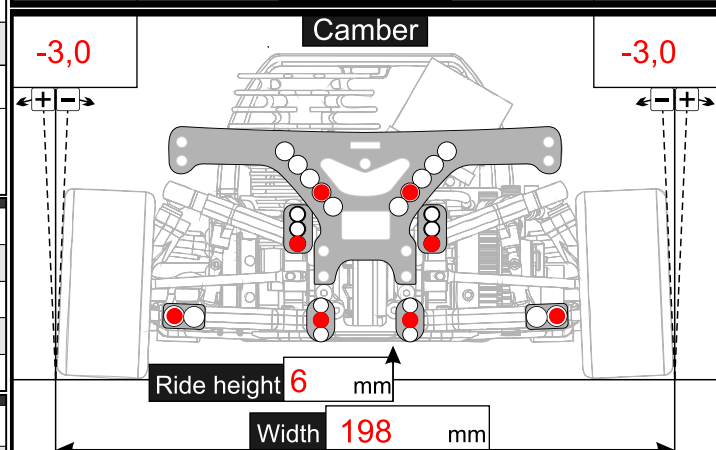
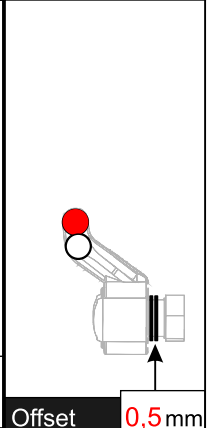
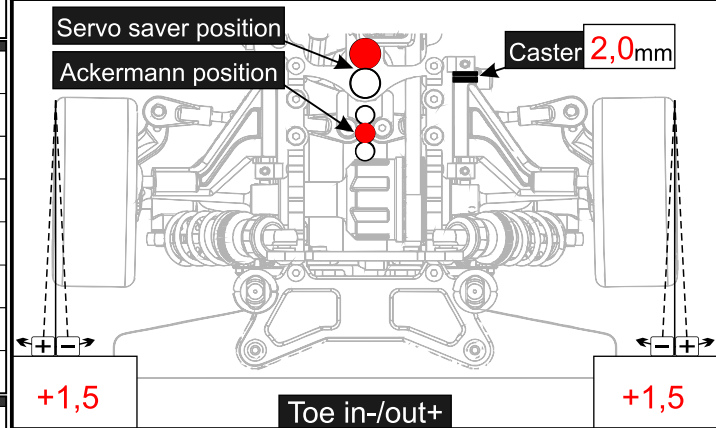
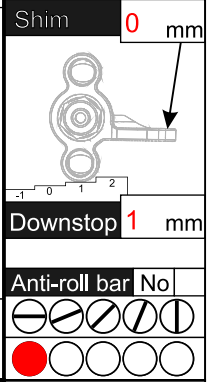
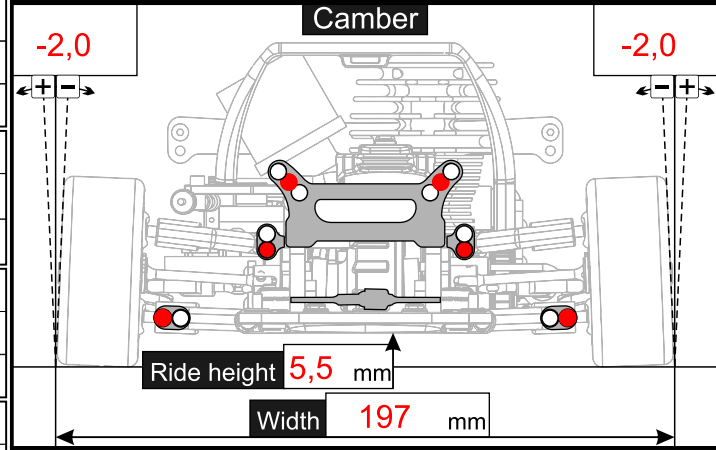
Engine			
Brand	Novarossi	Type	Flash .12
Glowplug	C-5TGF	Shims	std
Carburator	std	Venturi	5,4
Exhaust			
Manifold	N-41615		
Muffler	N-2652		
Fuel	Brand Byron	Nitro	16 %
Clutch	Type VCC V10		
Clutch shoe	Flyweights	Spring	
yellow	std	hard / std	
Bell clearance	Preload		
0,45	0,2		

Drive ratio			
1st gear clutch bell	17 <input checked="" type="checkbox"/> 18	2nd gear clutch bell	21 <input checked="" type="checkbox"/> 22 <input checked="" type="checkbox"/> 23
1st gear gearbox	58 <input checked="" type="checkbox"/> 59 <input checked="" type="checkbox"/> 60 <input checked="" type="checkbox"/>	2nd gear gearbox	53 <input checked="" type="checkbox"/> 54 <input checked="" type="checkbox"/> 55

Tyres			
Front left/right	Rear left/right		
Contact / Contact	Brand	Contact / Contact	
32 / 32	Shore	35 / 35	
58 / 58	Diameter start	60 / 60	
/	Diameter end	/	

Front differential			
Differential	Solid axle <input checked="" type="checkbox"/>	One way	
Oil	cST		
Rear differential			
Oil	80 000	cST	

Body	Brand Protoform	Type	M53
Distance from bumper	0,0	mm	
Spoiler	width 200 mm	height	max. mm
Position	distance to body rear	0	mm
Winglets	mm x	mm	



Rear Shocks			
Piston	1hole	2hole <input checked="" type="checkbox"/>	3hole
Spring floating piston	Soft	<input checked="" type="checkbox"/>	Hard
Shock oil	650 cST		
Spring	Shepherd green		

Front Shocks			
Piston	1hole	2hole <input checked="" type="checkbox"/>	3hole
Spring floating piston	Soft	<input checked="" type="checkbox"/>	Hard
Shock oil	500 cST		
Spring	Shepherd green		

Notes **Used optional parts: Titanium pivotballs / wide front bumper without foam / brass battery tray / brass battery tray brackets /**