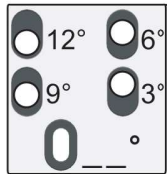
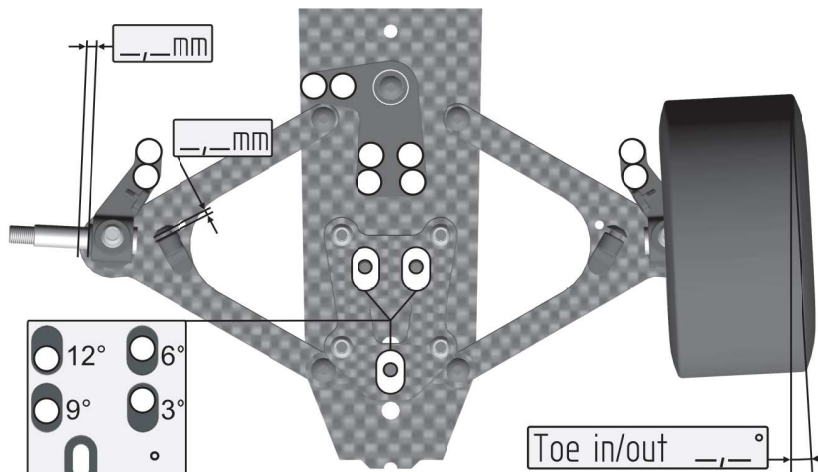
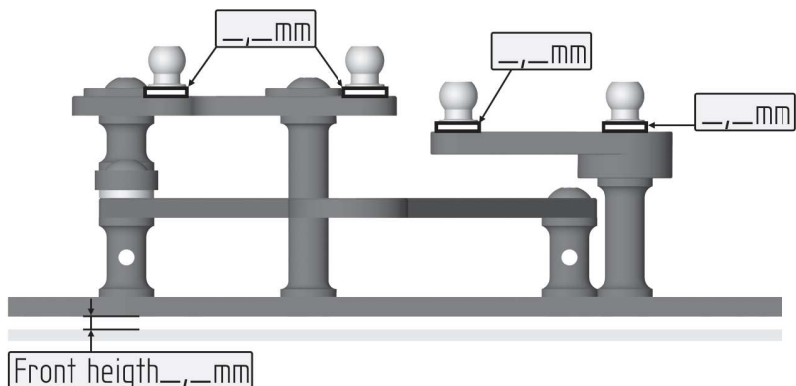


Camber right °

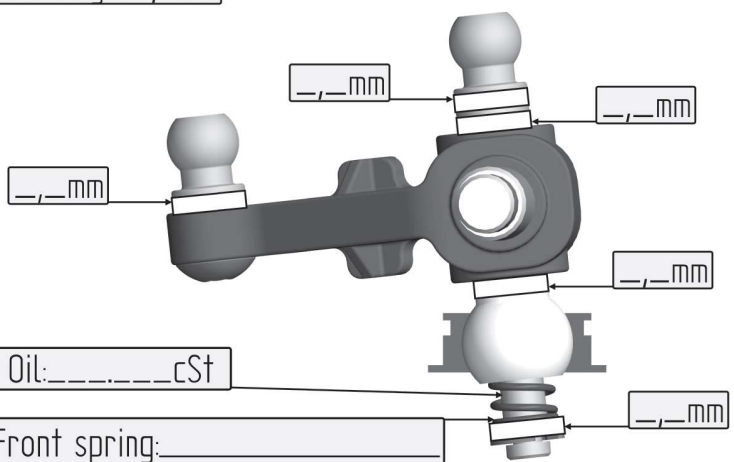
Camber left °



Toe in/out °




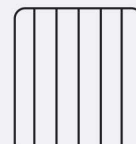
Front height mm



Name: _____
 Date: _____
 Event: _____
 Track: _____
 Surface: Carpet Asphalt
 Traction: high medium low
 Layout: technical mixed fast
 Best lap: _____

FRONT

REAR

Tyres: _____
 Additive _____
 Add. Timing _____
 Additive treated area  

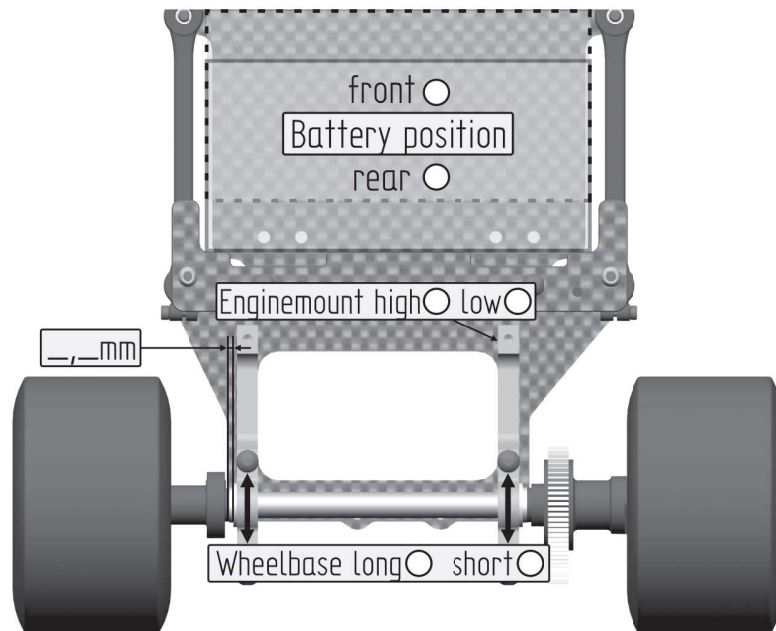
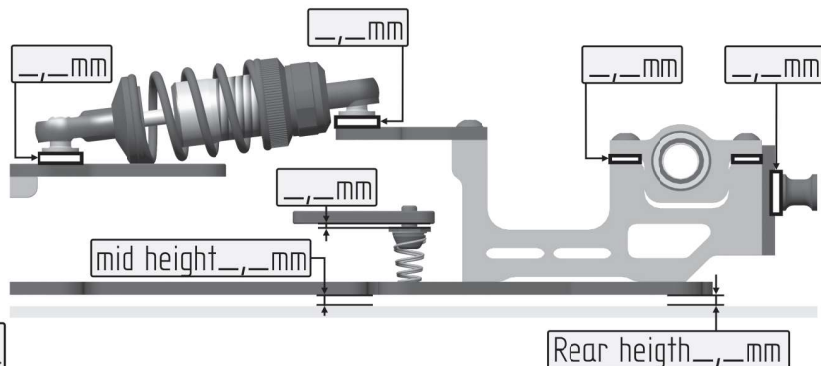
Diff setting: _____
 loose medium tight

Center shock:
 Spring: _____ Piston: _____
 Oil: cSt Rebound: %
 F.p. spring: _____
 Length: mm Preload: mm

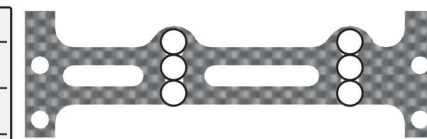
Side shock:
 Spring: _____ Oil: cSt

Gearing:
 T Pinion T Spur gear Drive ratio _____

Electronics:
 Motor: _____
 Speedo: _____
 Battery: _____
 Servo: _____



Body: _____
 Rear wing: _____
 Front wing: _____



Notes: _____

